

POLY FLEX DATA SHEET

PRODUCT: MOUNT **P-SYSTEM**®

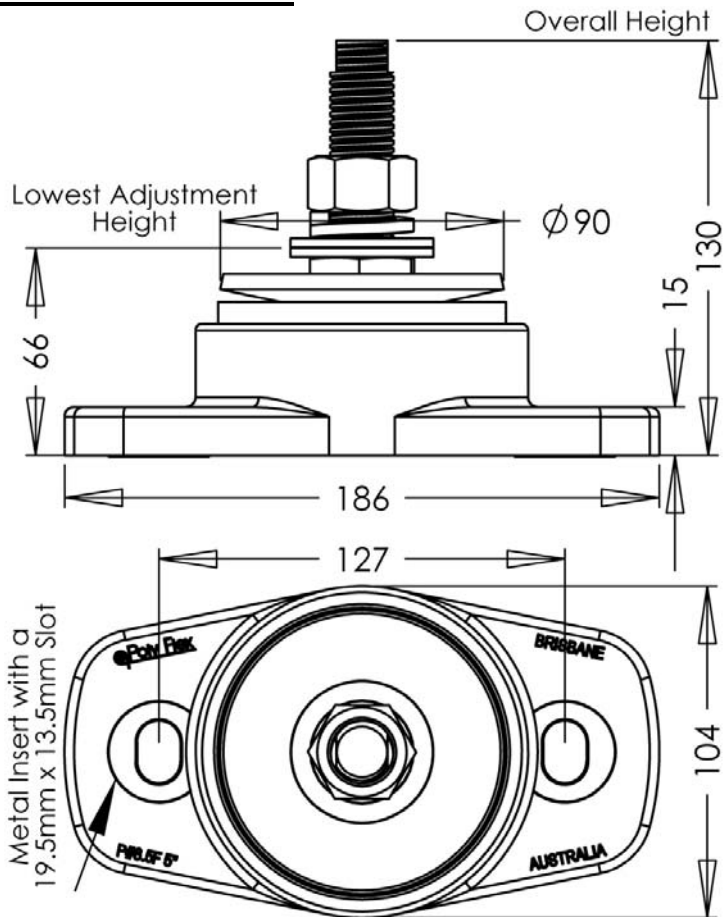
SERIES: **5F GENSET SERIES**

MODEL: P#8.5F (5") 90-12-20 () GEN

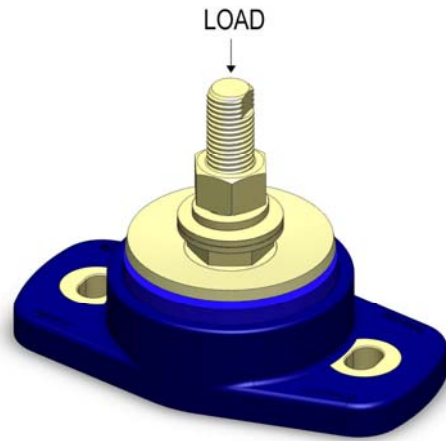
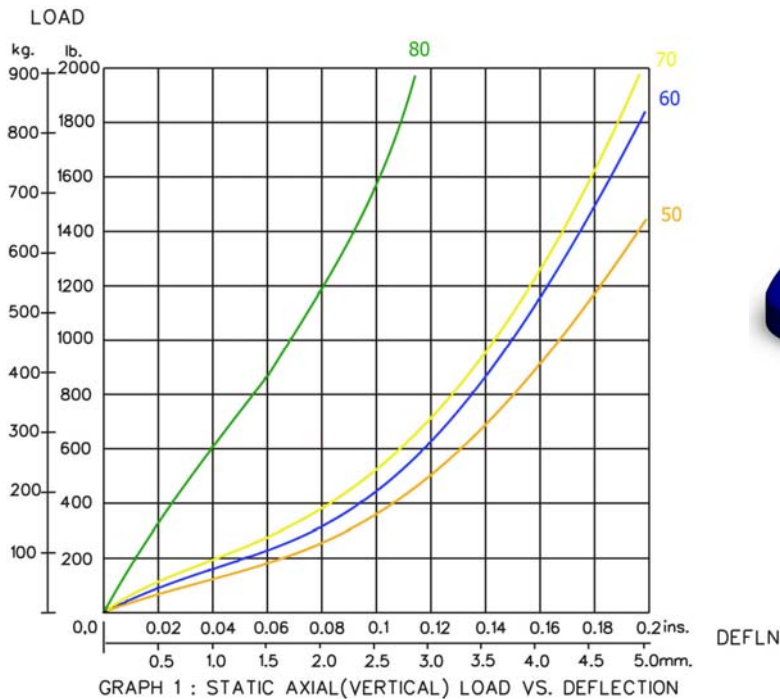
MATERIAL SPECIFICATION

- ENGINEERING GRADE HEAT CURED POLYMER ALLOY
- ALL METAL PARTS - SA5 COBALT ZINC PLATED

CORE COLOUR	SHORE HARDNESS
ORANGE	50
BLUE	60
YELLOW	70
GREEN	80



THE FOLLOWING DATA IS SUPPLIED AS A GUIDE ONLY. PRODUCT SPECIFICATIONS AND DATA SHEETS ARE SUBJECT TO CHANGE WITHOUT NOTICE.



Poly Flex © 2009
PRODUCTS

DRAWING No. P#8.5FGEN20
DRAWN OK. 08.07.09