

POLY FLEX DATA SHEET

P#7-5CTF73-20-16GEN

PRODUCT: MOUNT **P-SYSTEM**®

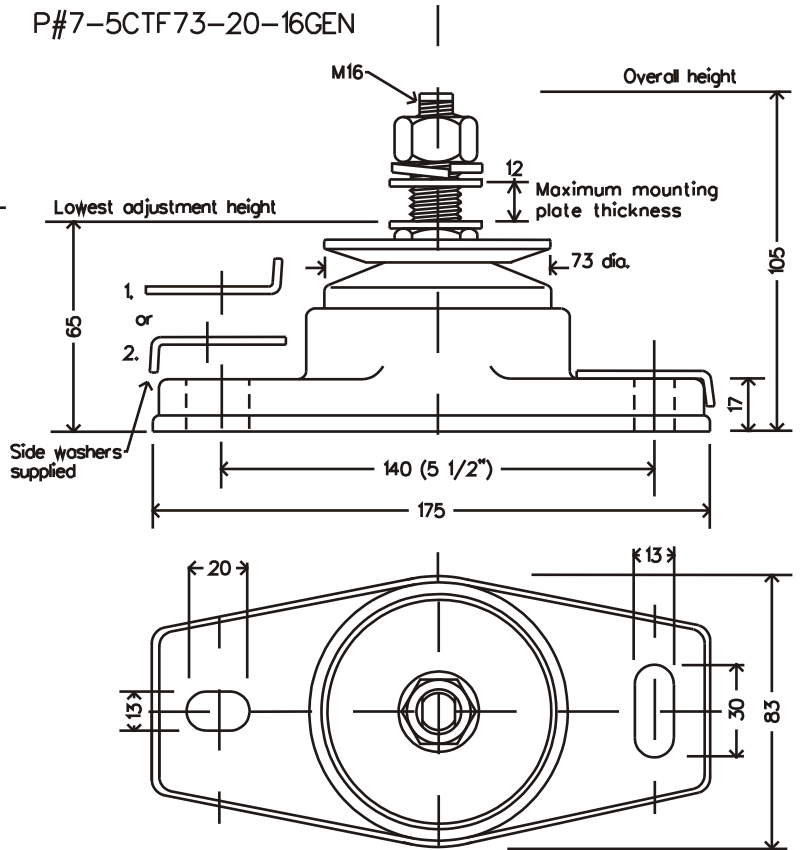
MODEL: **P#7.5CTF73-20-16GEN**

GEN-SET & MACHINERY MOUNT

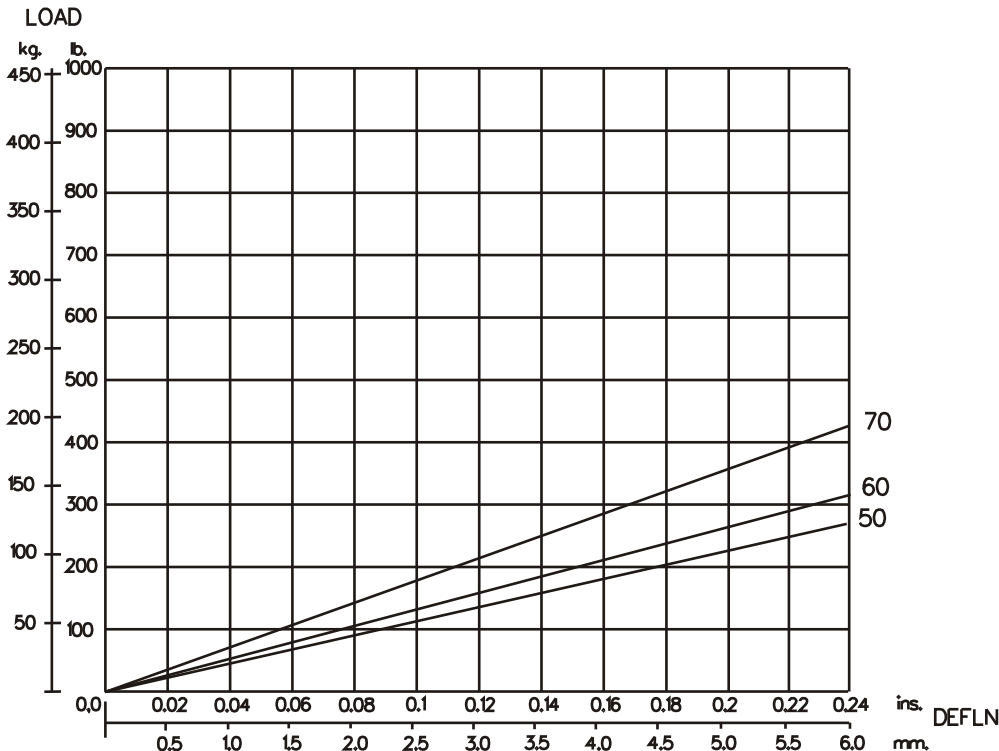
IDENTIFICATION SYSTEM				
P# 7 5 CTF 73 -20 -16 GEN				
BASE TYPE	CORE DIA.	CORE HEIGHT	THREAD SIZE	CORE HARDNESS

CORE COLOUR	SHORE HARDNESS
ORANGE	50
BLUE	60
YELLOW	70

MATERIAL SPECIFICATION	
• ENGINEERING GRADE HEAT CURED POLYMER ALLOY	
• ALL METAL PARTS - GOLD PASSIVATED ZINC PLATED	

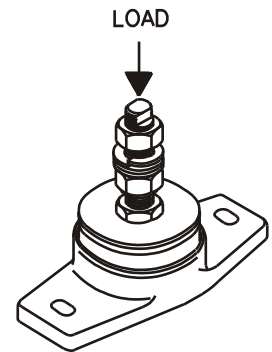


Dimensions are in mm.



GRAPH 1 : STATIC AXIAL (VERTICAL) LOAD VS. DEFLECTION

THE ABOVE DATA IS SUPPLIED AS A GUIDE ONLY
PRODUCT SPECIFICATIONS AND DATA SHEETS ARE SUBJECT TO CHANGE WITHOUT NOTICE.



Poly Flex © 2002
Products

DRAWING NO: D7-5C16G
DRAWN PB.5/8/02