

POLY FLEX DATA SHEET

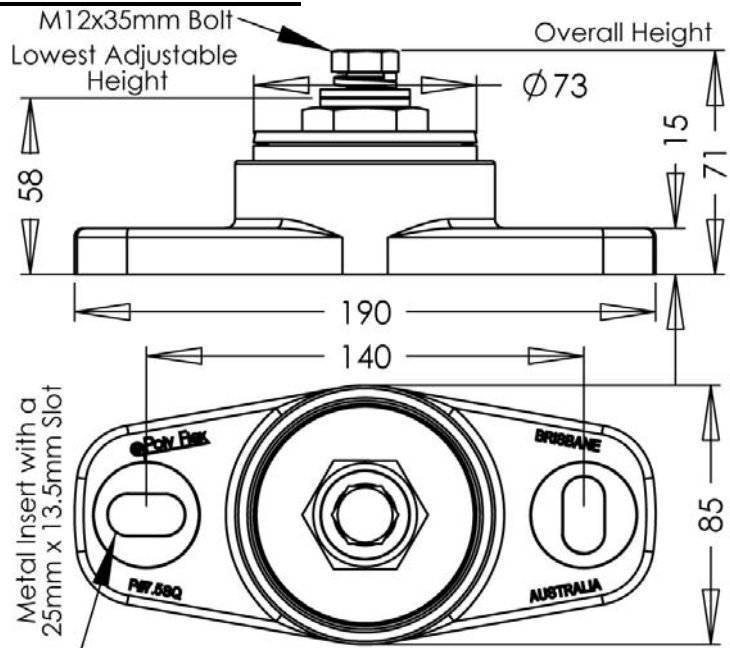
PRODUCT: MOUNT P-SYSTEM[®]

SERIES: 5F GENSET SERIES[®]

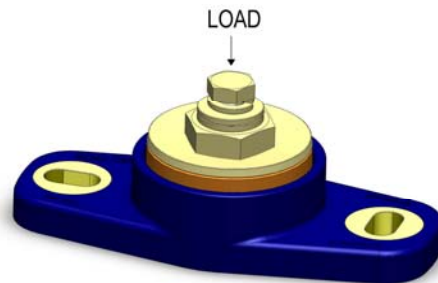
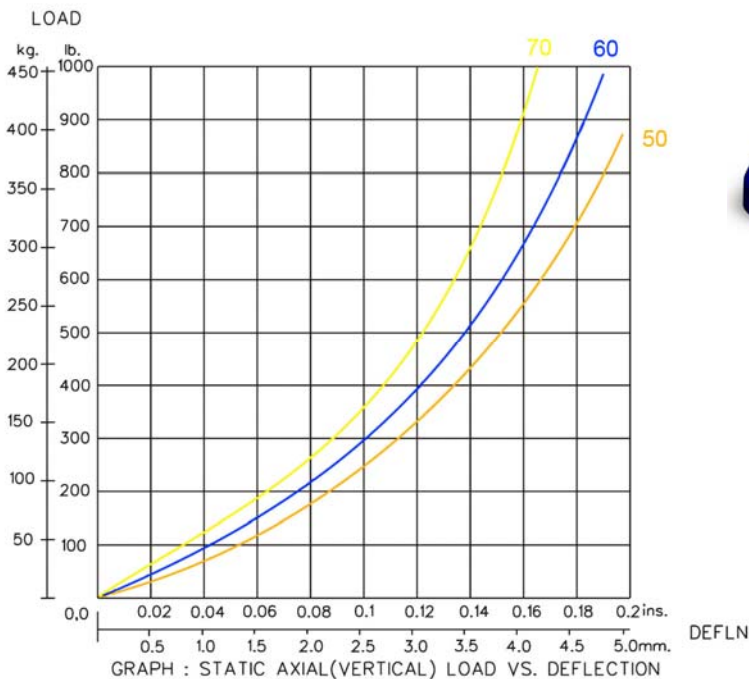
MODEL: P#7.5F 73-11-12 () BGEN

MATERIAL SPECIFICATION	
<ul style="list-style-type: none"> ENGINEERING GRADE HEAT CURED POLYMER ALLOY ALL METAL PARTS - SA5 COBALT ZINC PLATED 	

CORE COLOUR	SHORE HARDNESS
ORANGE	50
BLUE	60
YELLOW	70
GREEN	80



THE FOLLOWING DATA IS SUPPLIED AS A GUIDE ONLY.
PRODUCT SPECIFICATIONS AND DATA SHEETS ARE SUBJECT TO CHANGE WITHOUT NOTICE.



Poly Flex © 2009
PRODUCTS

DRAWING No. P#7.5FBGEN12
DRAWN OK. 08.07.09