

**POLY FLEX DATA SHEET**

PRODUCT: MOUNT **P-SYSTEM**®

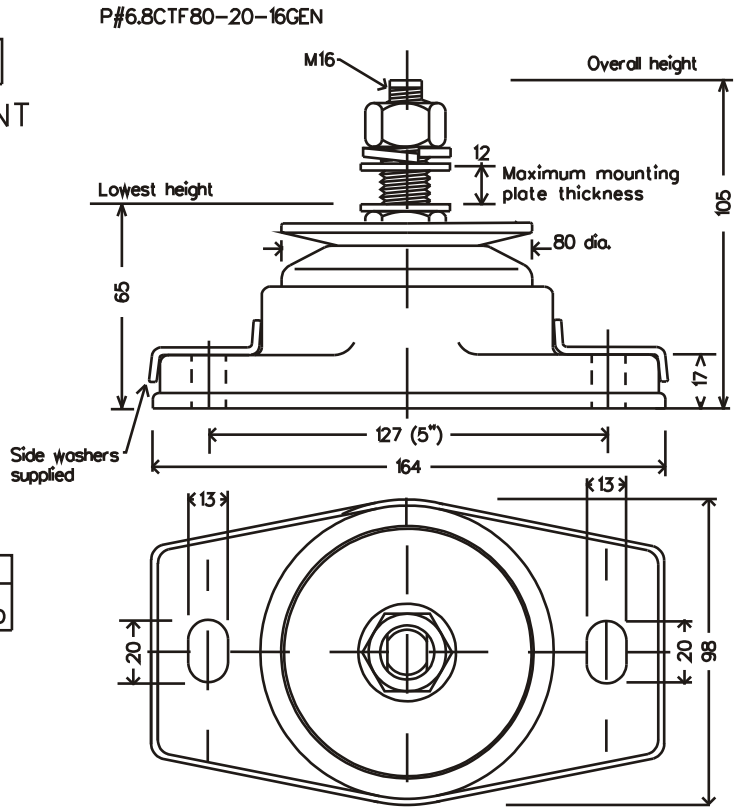
MODEL: **P#6.8CTF80-20-16GEN**

GEN-SET & MACHINERY MOUNT

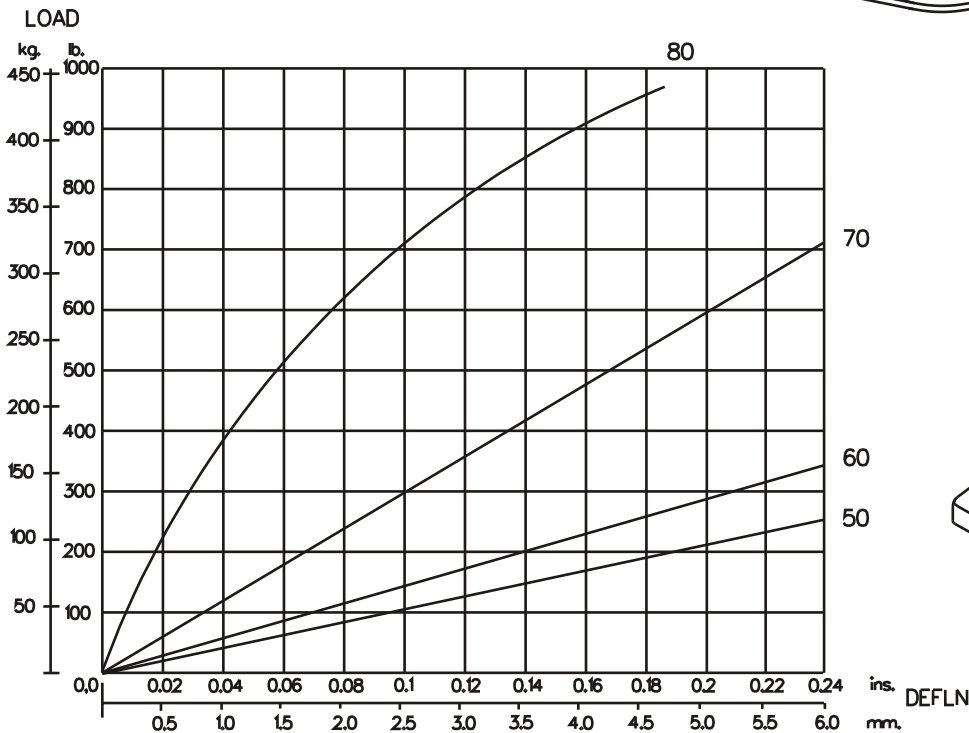
IDENTIFICATION SYSTEM				
P# <b>6</b> <b>8</b> <b>CTF</b> <b>80</b> - <b>20</b> - <b>16</b> <b>GEN</b>				
BASE TYPE	CORE DIA.	CORE HEIGHT	THREAD SIZE	CORE HARDNESS

CORE COLOUR	SHORE HARDNESS
ORANGE	50
BLUE	60
YELLOW	70
LIGHT GREEN	80

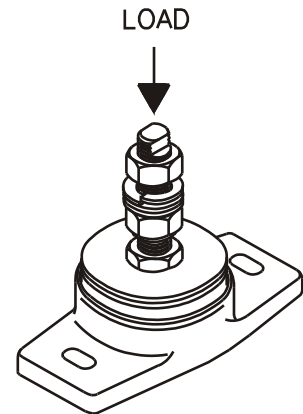
MATERIAL SPECIFICATION	
• ENGINEERING GRADE HEAT CURED POLYMER ALLOY	
• ALL METAL PARTS - GOLD PASSVATED ZINC PLATED	



Dimensions are in mm.



GRAPH 1: STATIC AXIAL (VERTICAL) LOAD VS. DEFLECTION



THE ABOVE DATA IS SUPPLIED AS A GUIDE ONLY. PRODUCT SPECIFICATIONS AND DATA SHEETS ARE SUBJECT TO CHANGE WITHOUT NOTICE.

**Poly Flex** © 2002  
Products

DRAWING NO: D6-8C16G  
DRAWN PB: 1/8/02