

POLY FLEX DATA SHEET

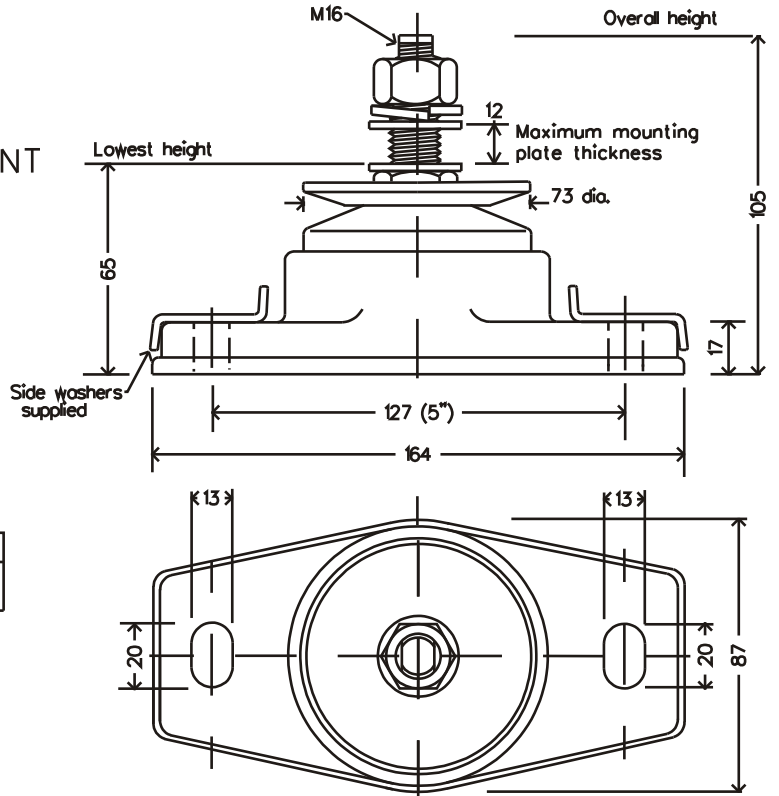
P#6.5CTF73-20-16GEN

PRODUCT: MOUNT **P-SYSTEM**[®]
MODEL: **P#6.5CTF73-20-16GEN**
GEN-SET & MACHINERY MOUNT

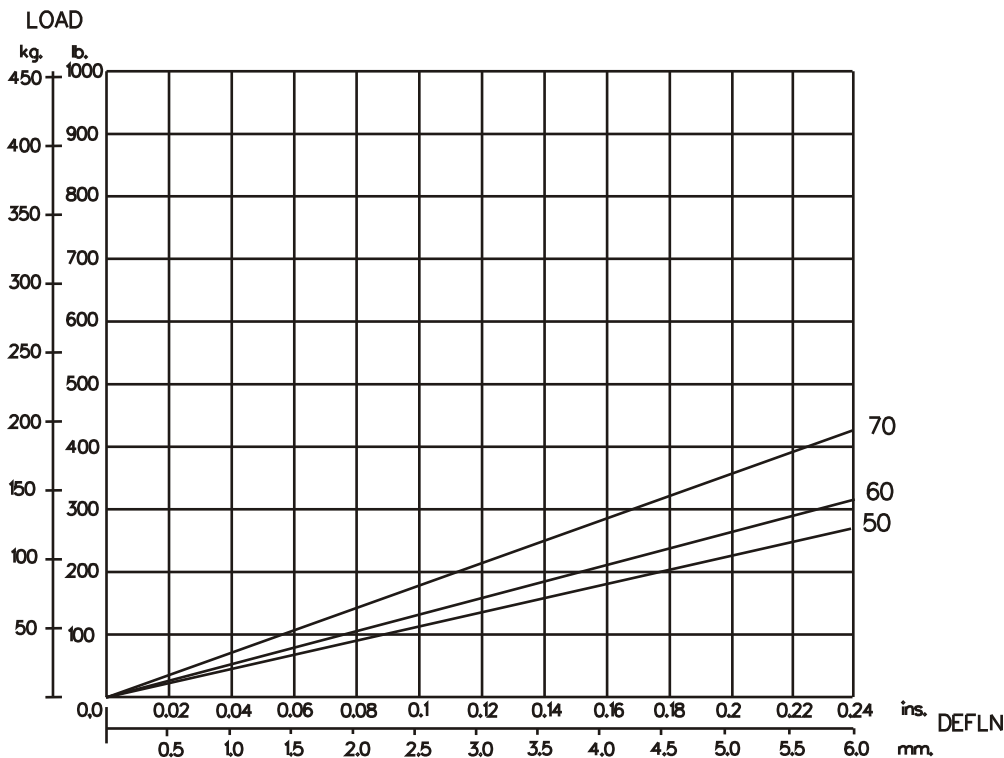
IDENTIFICATION SYSTEM				
P# 6.5 CT 73 - 20 - 16 GEN				
BASE TYPE	CORE DIA.	CORE HEIGHT	THREAD SIZE	CORE HARDNESS

CORE COLOUR	SHORE HARDNESS
ORANGE	50
BLUE	60
YELLOW	70

MATERIAL SPECIFICATION	
• ENGINEERING GRADE HEAT CURED POLYMER ALLOY	
• ALL METAL PARTS - GOLD PASSIVATED ZINC PLATED	



Dimensions are in mm.



GRAPH 1 : STATIC AXIAL(VERTICAL) LOAD VS. DEFLECTION

THE ABOVE DATA IS SUPPLIED AS A GUIDE ONLY
PRODUCT SPECIFICATIONS AND DATA SHEETS ARE SUBJECT TO CHANGE WITHOUT NOTICE.

Poly Flex © 2002
Products

DRAWING NO: D6-5C16G
DRAWN PB.1/8/02