

POLY FLEX DATA SHEET

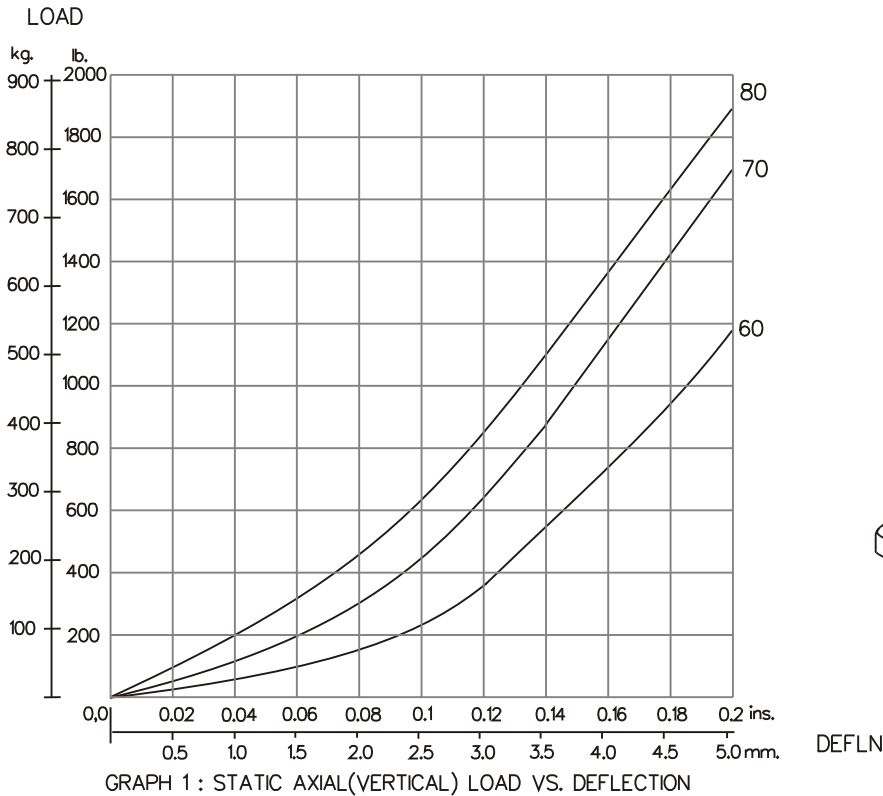
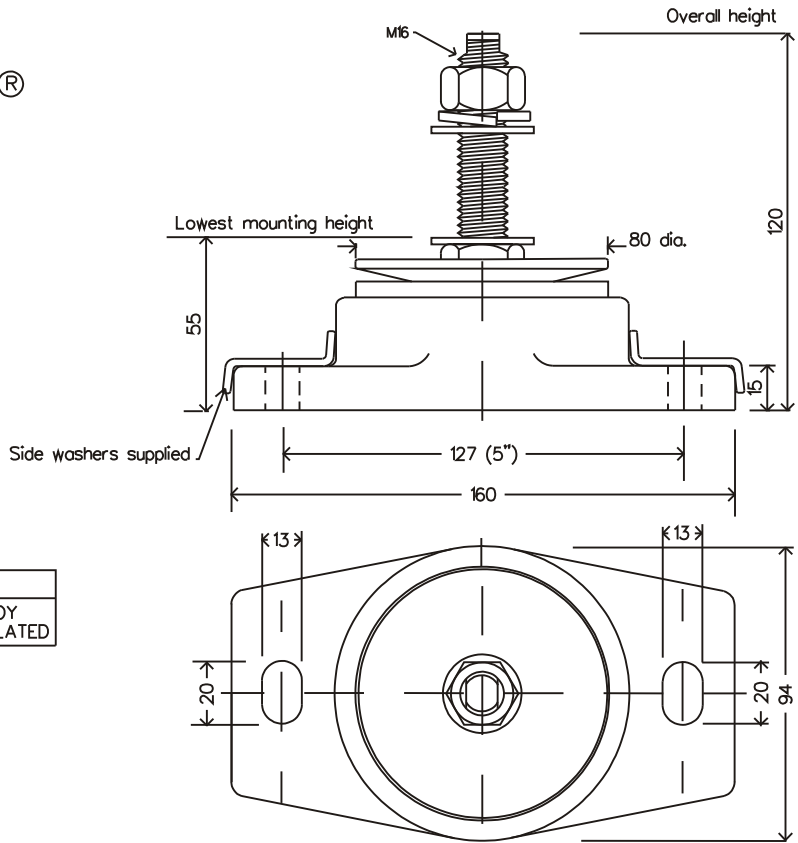
PRODUCT: MOUNT **P-SYSTEM**®

MODEL: **P#6.8F80-12-16 Gen**

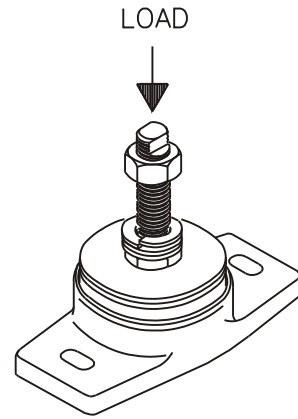
IDENTIFICATION SYSTEM				
P# 6 F 80 - 12 - 16 (80)				
BASE TYPE	CORE DIA.	CORE HEIGHT	THREAD SIZE	CORE HARDNESS

CORE COLOUR	SHORE HARDNESS
ORANGE	50
BLUE	60
YELLOW	70
LIGHT GREEN	80

MATERIAL SPECIFICATION
* ENGINEERING GRADE HEAT CURED POLYMER ALLOY
* ALL METAL PARTS - GOLD PASSVATED ZINC PLATED



Dimensions are in mm.



© 2000 **Poly Flex** Products

DRAWING NO: D6-8F16G
DRAWN PB. 12/4/00

THE ABOVE DATA IS SUPPLIED AS A GUIDE ONLY.
PRODUCT SPECIFICATIONS AND DATA SHEETS ARE SUBJECT TO CHANGE WITHOUT NOTICE.