

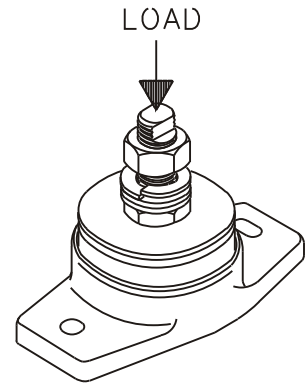
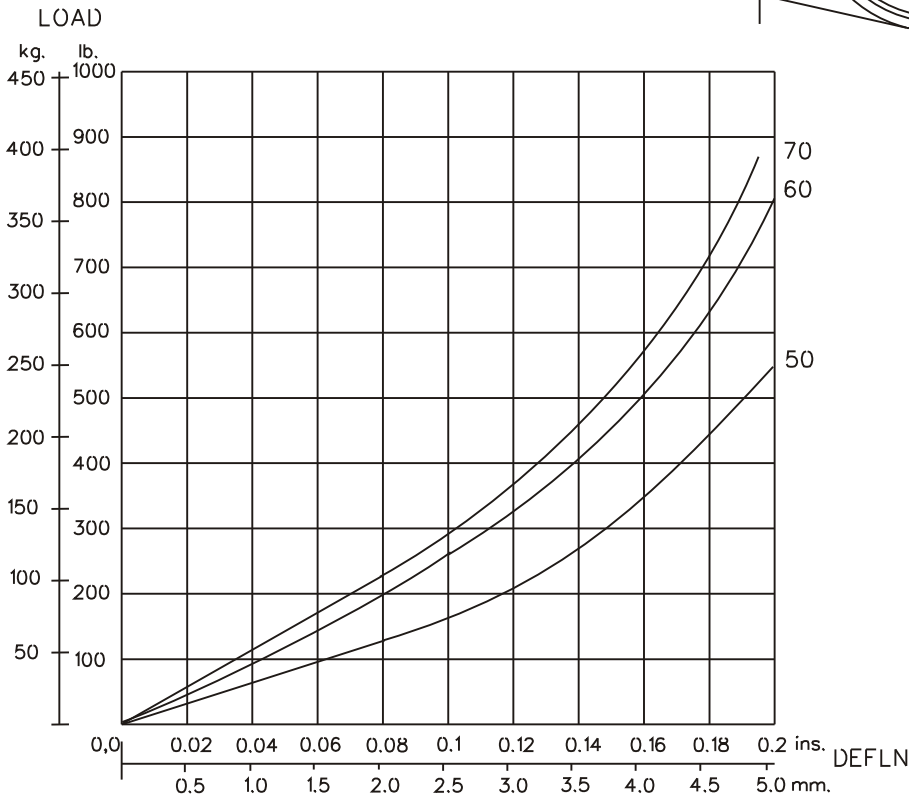
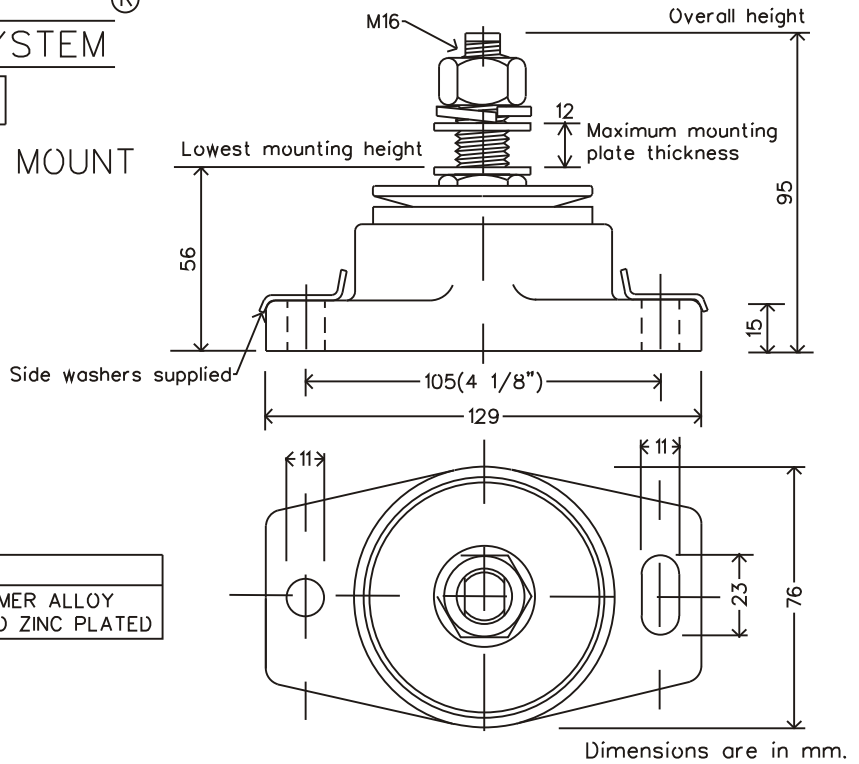
POLY FLEX DATA SHEET

PRODUCT: MOUNT **P-SYSTEM**[®]
 MODEL: **P#5.5F65-11-16**
 GEN-SET & MACHINERY MOUNT

IDENTIFICATION SYSTEM				
P# <u>5</u> F <u>65</u> - <u>11</u> - <u>16</u> (<u>XX</u>)				
BASE TYPE	CORE DIA.	CORE HEIGHT	THREAD SIZE	CORE HARDNESS

CORE COLOUR	SHORE HARDNESS
ORANGE	50
BLUE	60
YELLOW	70

MATERIAL SPECIFICATION	
* ENGINEERING GRADE HEAT CURED POLYMER ALLOY	
* ALL METAL PARTS - GOLD PASSIVATED ZINC PLATED	



SUGGESTED CORE HARDNESS FOR: LIGHT DUTY
 HEAVY DUTY

THE ABOVE DATA IS SUPPLIED AS A GUIDE ONLY
 PRODUCT SPECIFICATIONS AND DATA SHEETS ARE SUBJECT TO CHANGE WITHOUT NOTICE.

Poly Flex © 1996
 Products

DRAWING NO: P5-5FG16
 DRAWN PB. 19/1/96