

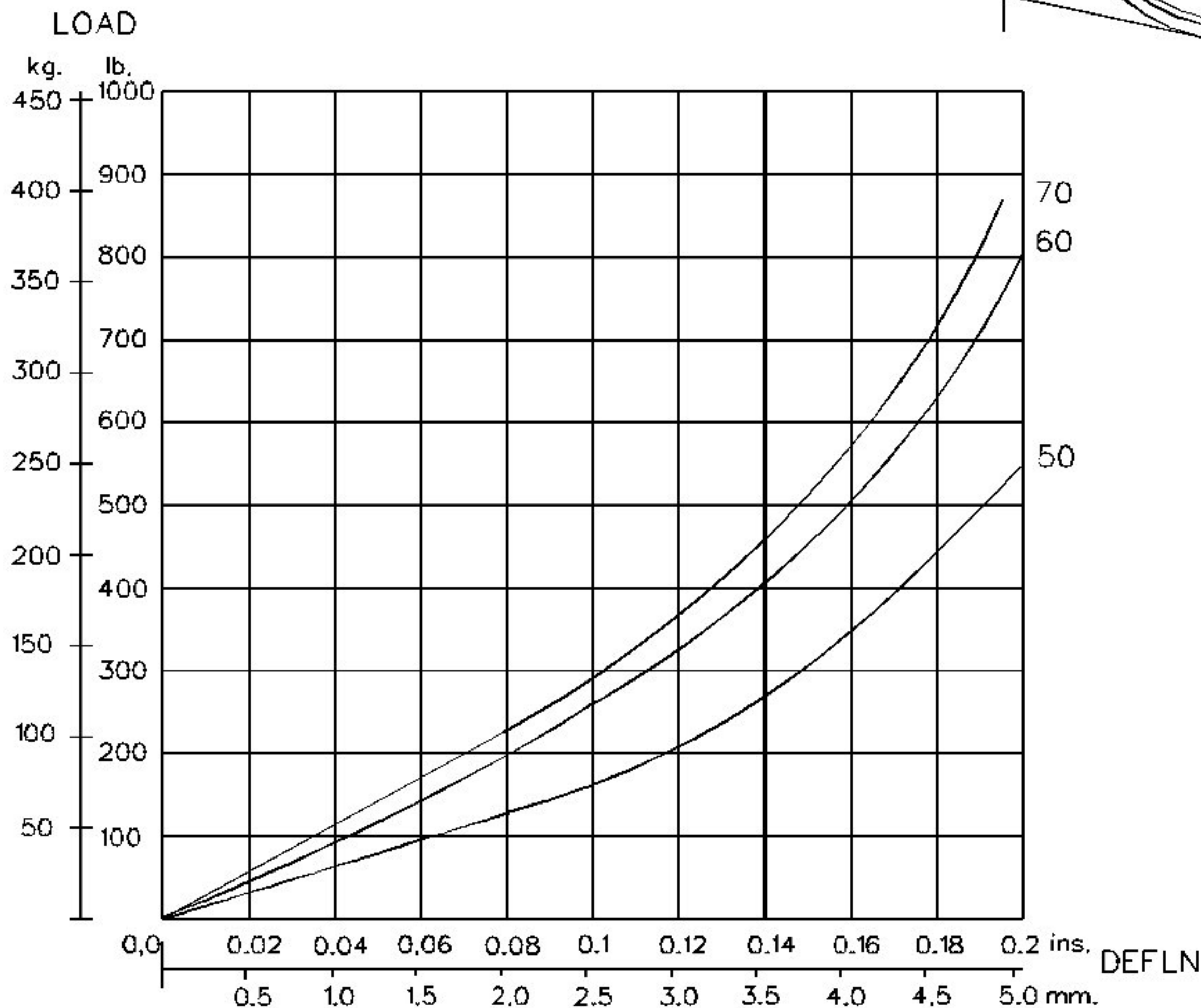
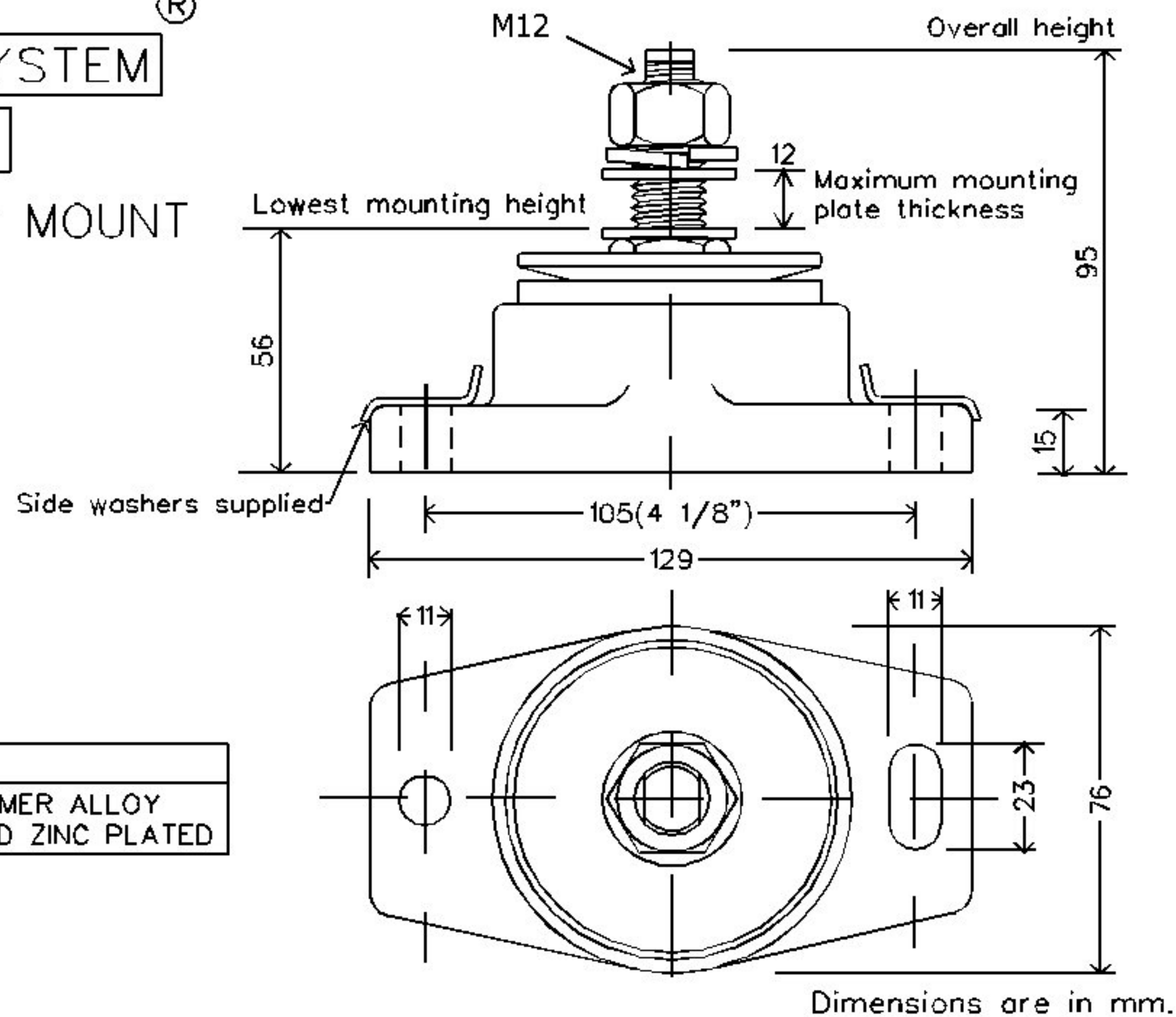
POLY FLEX DATA SHEET

PRODUCT: MOUNT **P-SYSTEM**®
MODEL: **P#5.5F65-11-**
GEN-SET & MACHINERY MOUNT

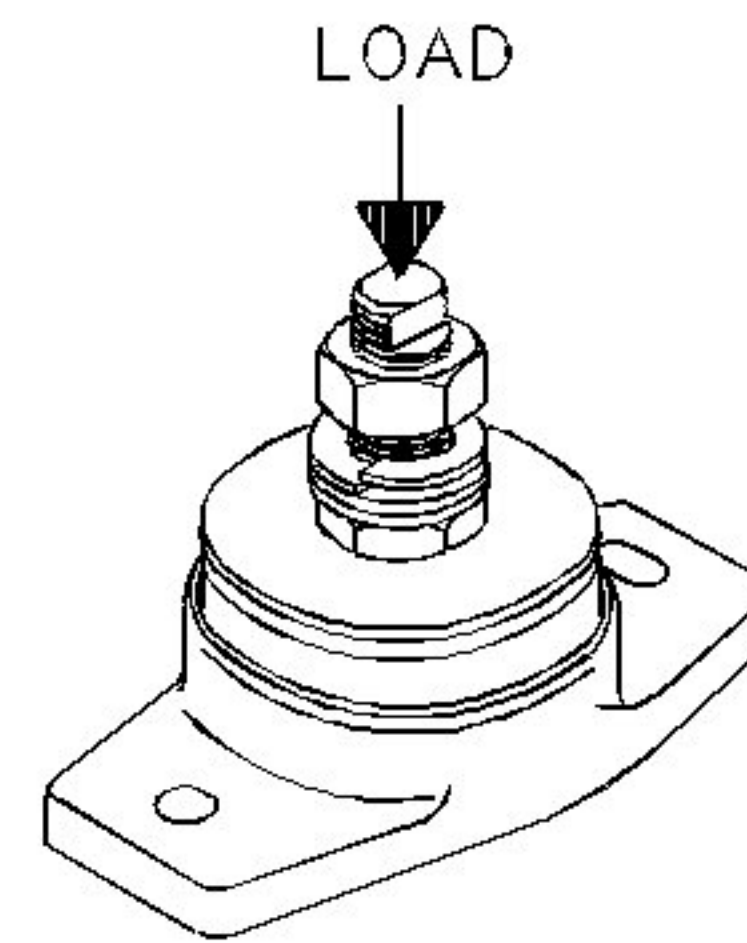
IDENTIFICATION SYSTEM				
P# <input type="text"/> F <input type="text"/> <input type="text"/> - <input type="text"/> <input type="text"/> - <input type="text"/> <input type="text"/> (<input type="text"/> <input type="text"/>)				
BASE TYPE	CORE DIA.	CORE HEIGHT	THREAD SIZE	CORE HARDNESS

CORE COLOUR	SHORE HARDNESS
ORANGE	50
BLUE	60
YELLOW	70

MATERIAL SPECIFICATION	
* ENGINEERING GRADE HEAT CURED POLYMER ALLOY	
* ALL METAL PARTS - GOLD PASSIVATED ZINC PLATED	



GRAPH 1 : STATIC AXIAL(VERTICAL) LOAD VS. DEFLECTION



SUGGESTED CORE HARDNESS FOR: LIGHT DUTY
HEAVY DUTY

THE ABOVE DATA IS SUPPLIED AS A GUIDE ONLY
PRODUCT SPECIFICATIONS AND DATA SHEETS ARE SUBJECT TO CHANGE WITHOUT NOTICE.

Poly Flex © 1996
Products

DRAWING NO: P5-5FG16
DRAWN PB. 19/1/96