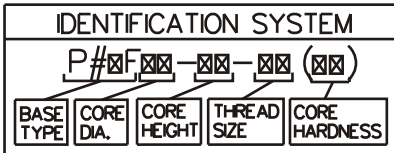


**POLY FLEX DATA SHEET**

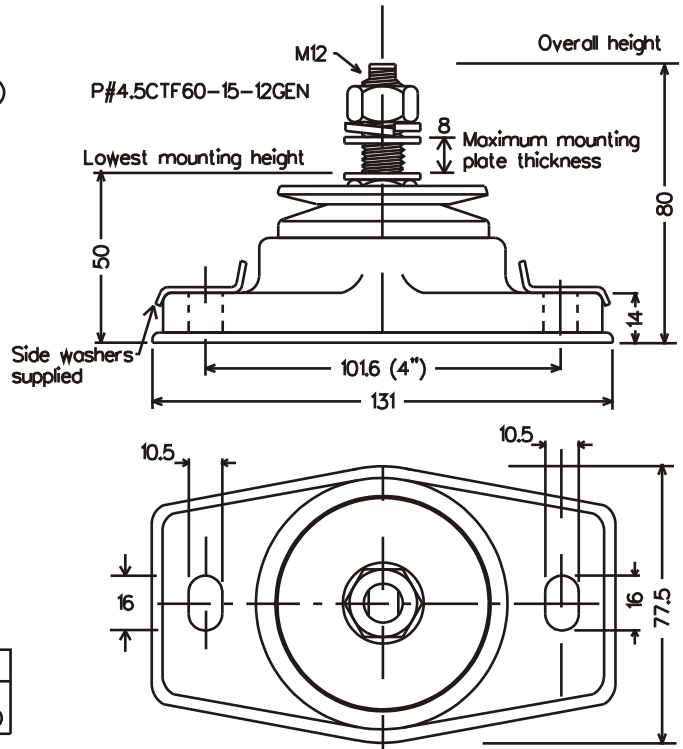
PRODUCT: MOUNT **P-SYSTEM**®  
MODEL: **P#4.5CTF60-15-12GEN**



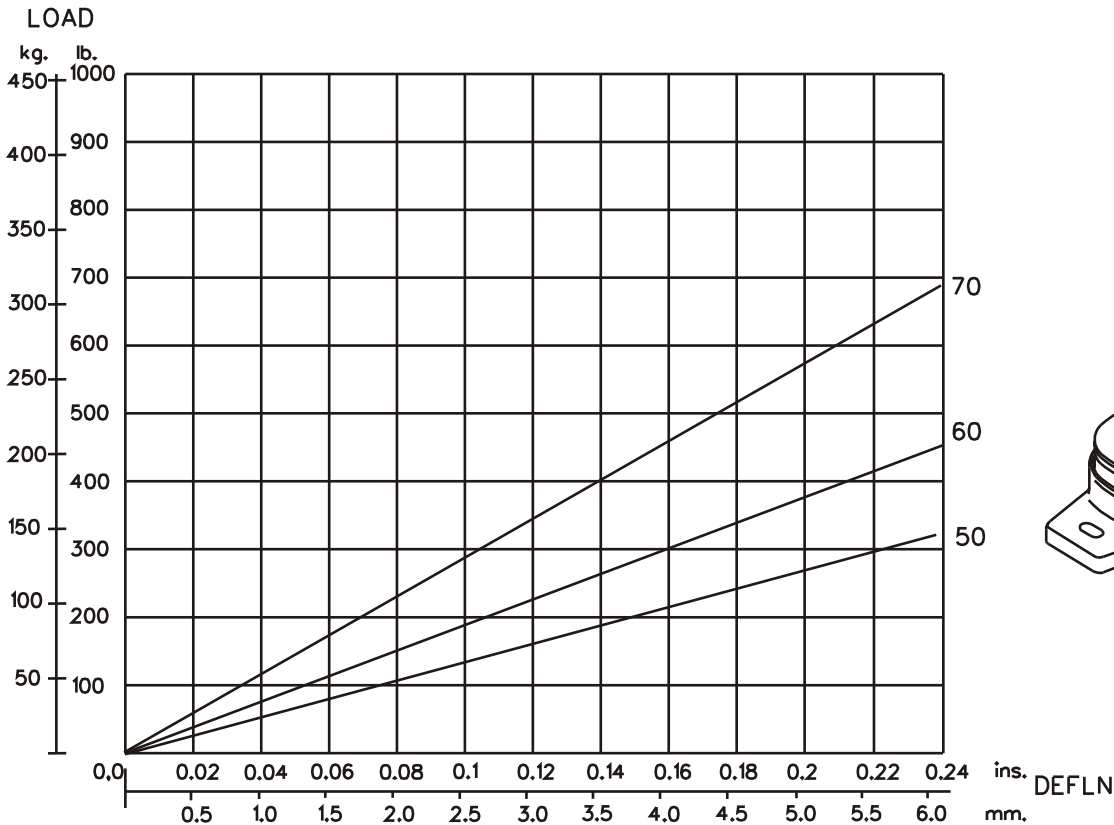
CORE COLOUR	SHORE HARDNESS
ORANGE	50
BLUE	60
YELLOW	70

**MATERIAL SPECIFICATION**

- \* ENGINEERING GRADE HEAT CURED POLYMER ALLOY
- \* ALL METAL PARTS - GOLD PASSIVATED ZINC PLATED



Dimensions are in mm.



GRAPH 1 : STATIC AXIAL(VERTICAL) LOAD VS. DEFLECTION

