

**POLY FLEX DATA SHEET**

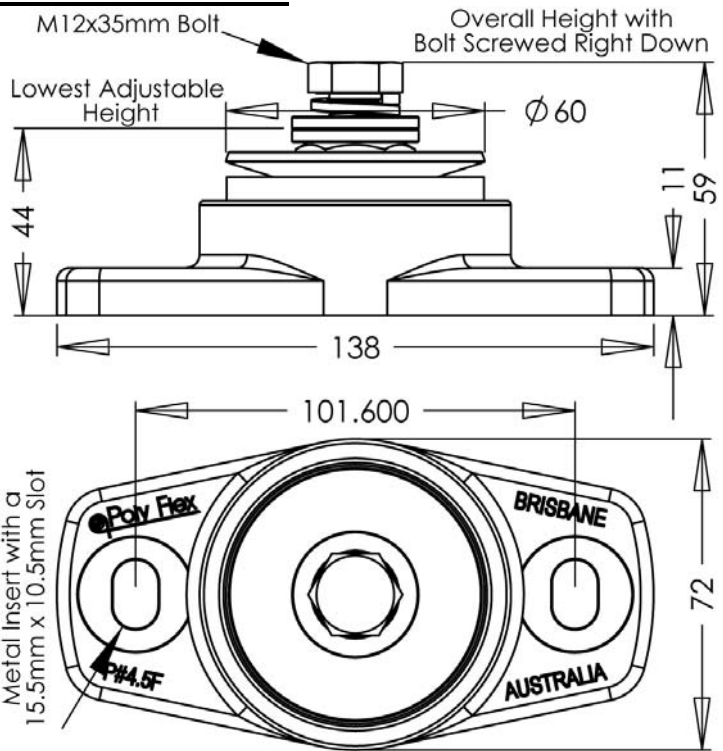
**PRODUCT:** MOUNT **P-SYSTEM**

**SERIES:** **5F GENSET SERIES**

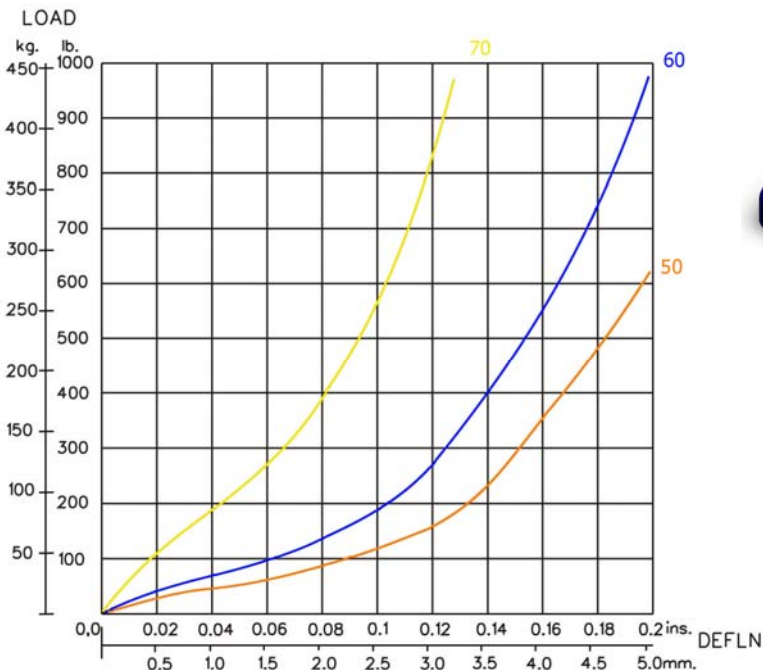
**MODEL:** P#4.5F 60-11-12 ( ) BGEN

MATERIAL SPECIFICATION	
• ENGINEERING GRADE HEAT CURED POLYMER ALLOY	
• ALL METAL PARTS - SA5 COBALT ZINC PLATED	

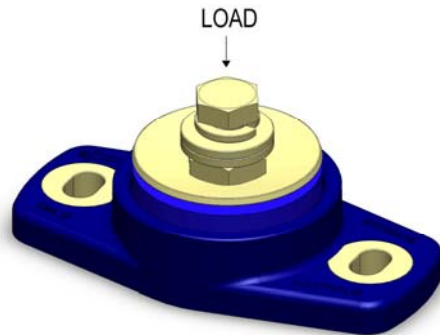
CORE COLOUR	SHORE HARDNESS
ORANGE	50
BLUE	60
YELLOW	70
GREEN	80



THE FOLLOWING DATA IS SUPPLIED AS A GUIDE ONLY.  
PRODUCT SPECIFICATIONS AND DATA SHEETS ARE SUBJECT TO CHANGE WITHOUT NOTICE.



GRAPH 1 : STATIC AXIAL(VERTICAL) LOAD VS. DEFLECTION



**Poly Flex** © 2009  
PRODUCTS

DRAWING No. P#4.5FBGEN12  
DRAWN OK. 08.07.09