

POLY FLEX DATA SHEET

PRODUCT: MOUNT **P-SYSTEM**

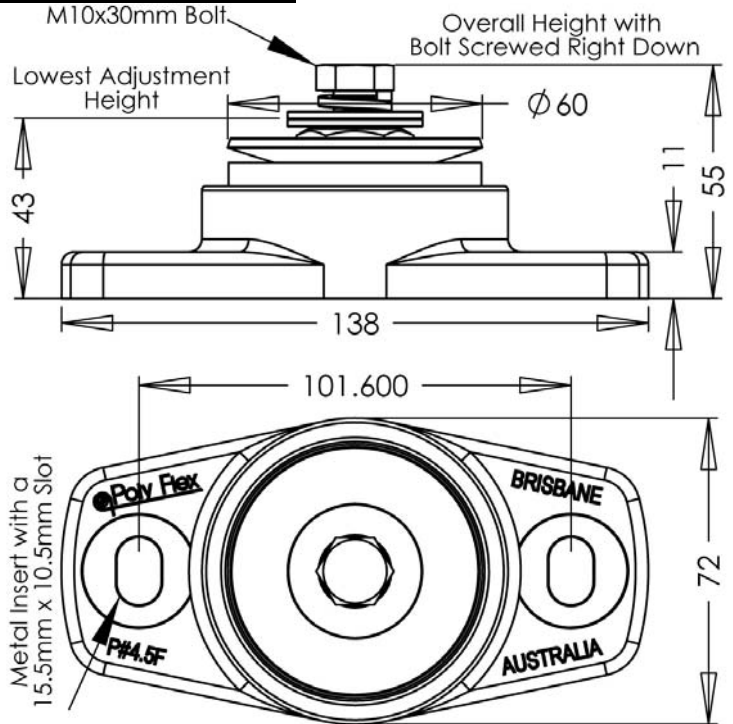
SERIES: **5F GENSET SERIES**

MODEL: P#4.5F 60-11-10 () BGEN

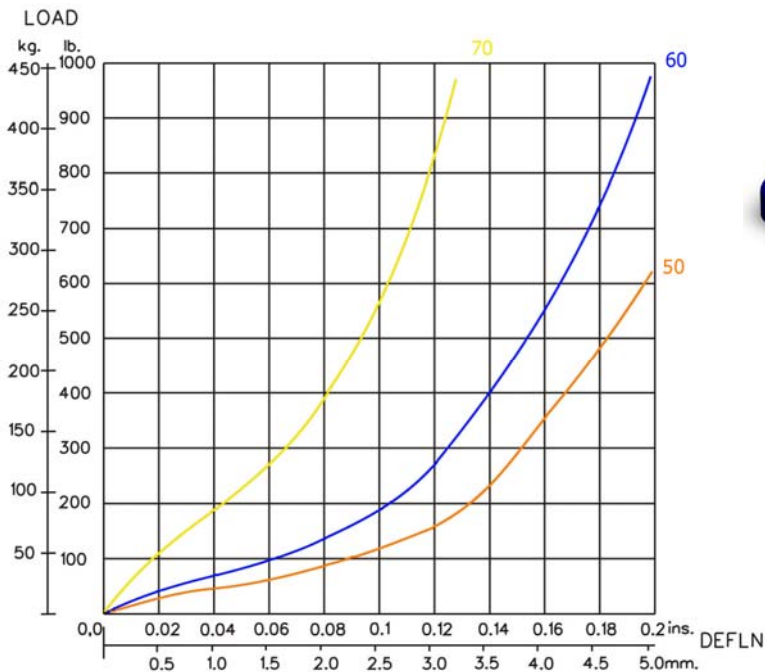
MATERIAL SPECIFICATION

- ENGINEERING GRADE HEAT CURED POLYMER ALLOY
- ALL METAL PARTS - SA5 COBALT ZINC PLATED

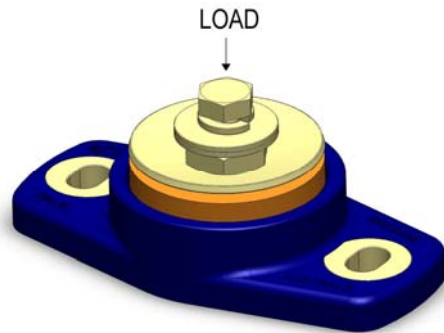
CORE COLOUR	SHORE HARDNESS
ORANGE	50
BLUE	60
YELLOW	70
GREEN	80



THE FOLLOWING DATA IS SUPPLIED AS A GUIDE ONLY.
PRODUCT SPECIFICATIONS AND DATA SHEETS ARE SUBJECT TO CHANGE WITHOUT NOTICE.



GRAPH 1 : STATIC AXIAL(VERTICAL) LOAD VS. DEFLECTION



Poly Flex © 2009
PRODUCTS

DRAWING No. P#4.5FBGEN10
DRAWN OK. 08.07.09