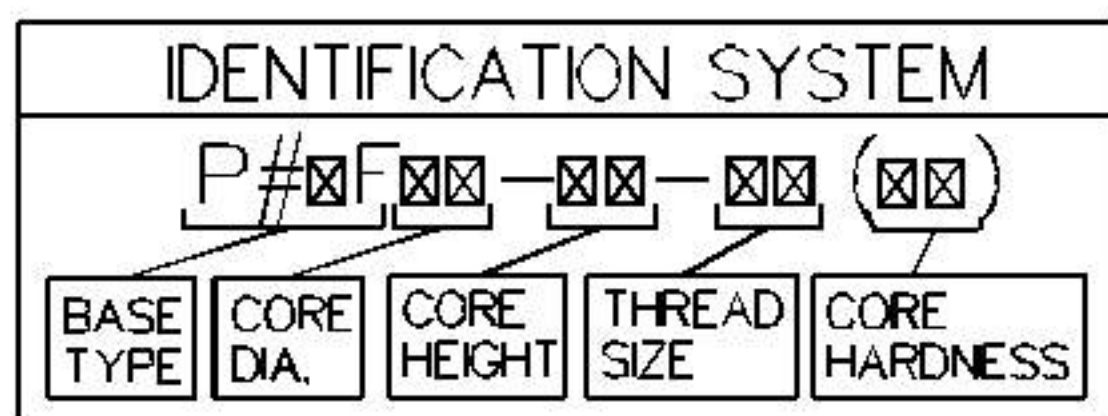


## POLY FLEX DATA SHEET

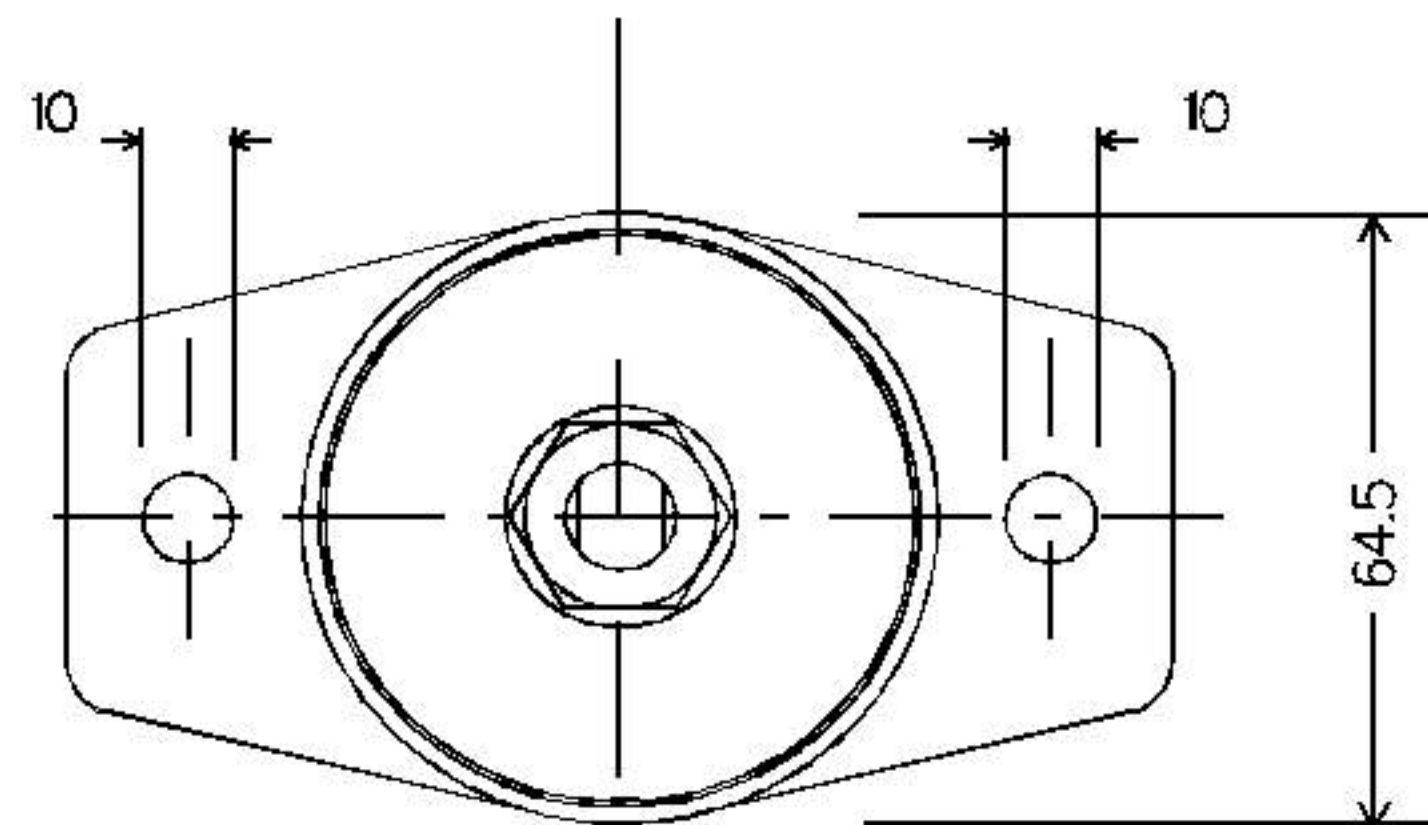
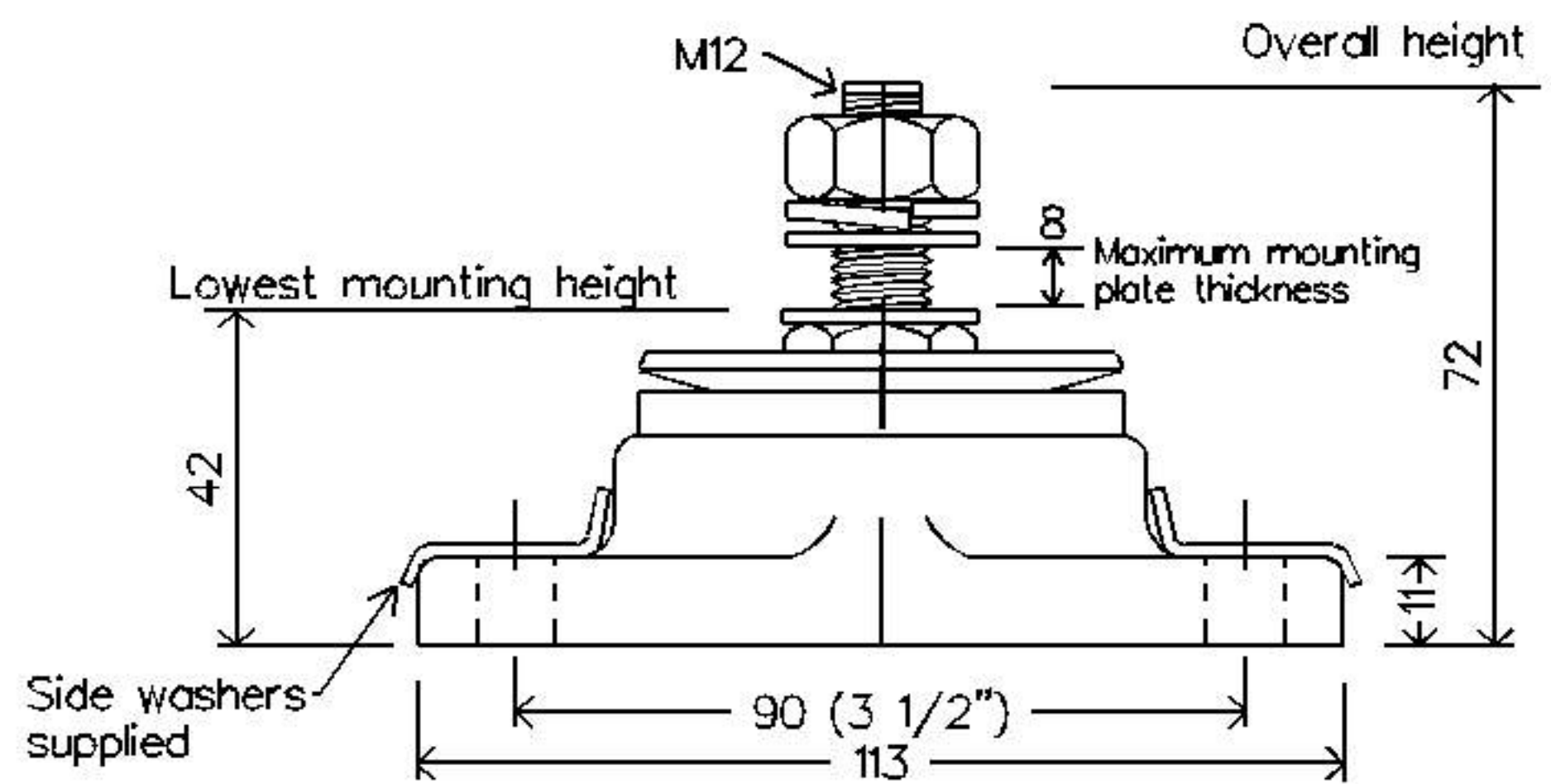
PRODUCT: MOUNT **P-SYSTEM**<sup>®</sup>  
MODEL: **P#3.5F60-11-12**  
GEN-SET & MACHINERY MOUNT



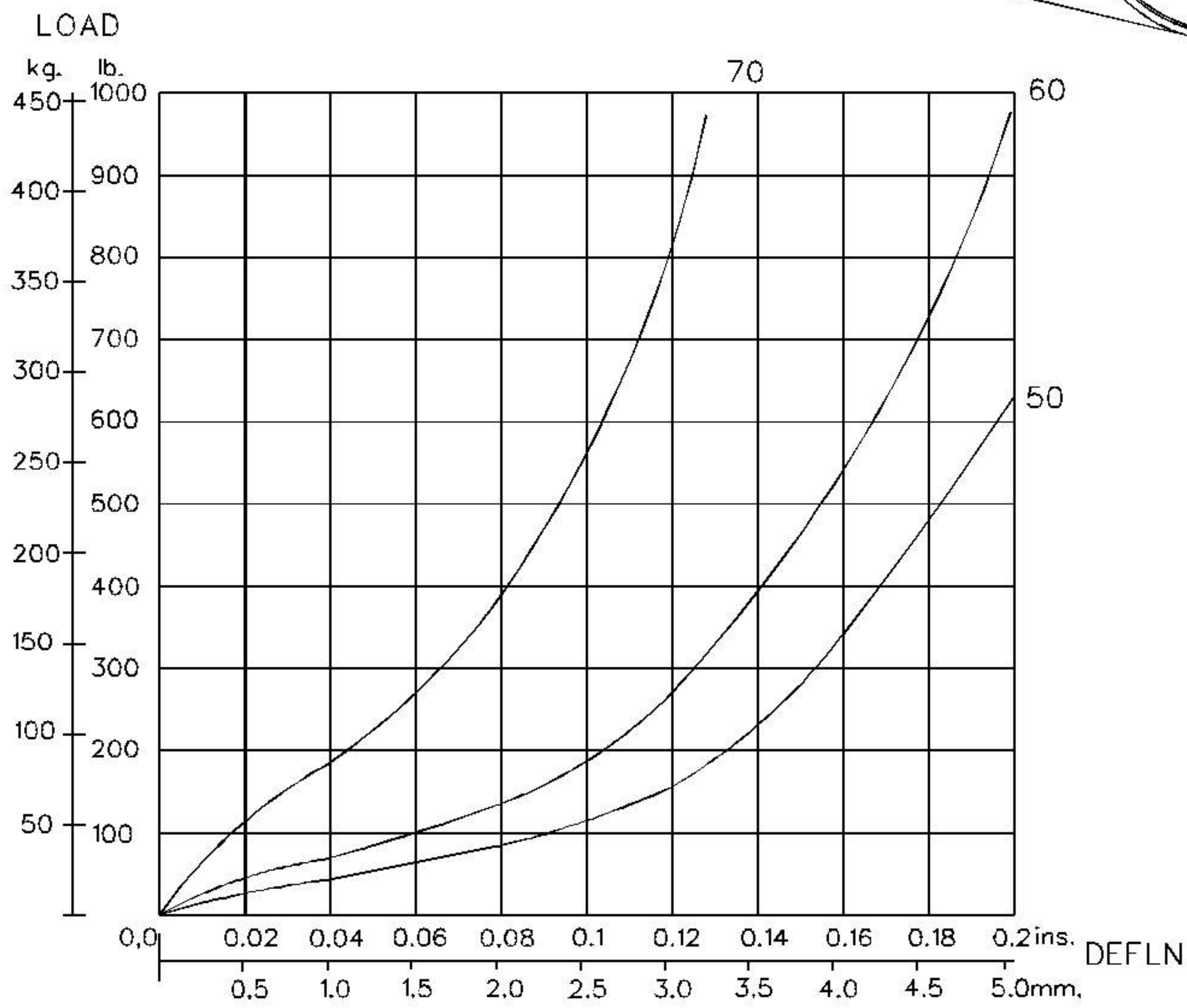
CORE COLOUR	SHORE HARDNESS
ORANGE	50
BLUE	60
YELLOW	70

**MATERIAL SPECIFICATION**

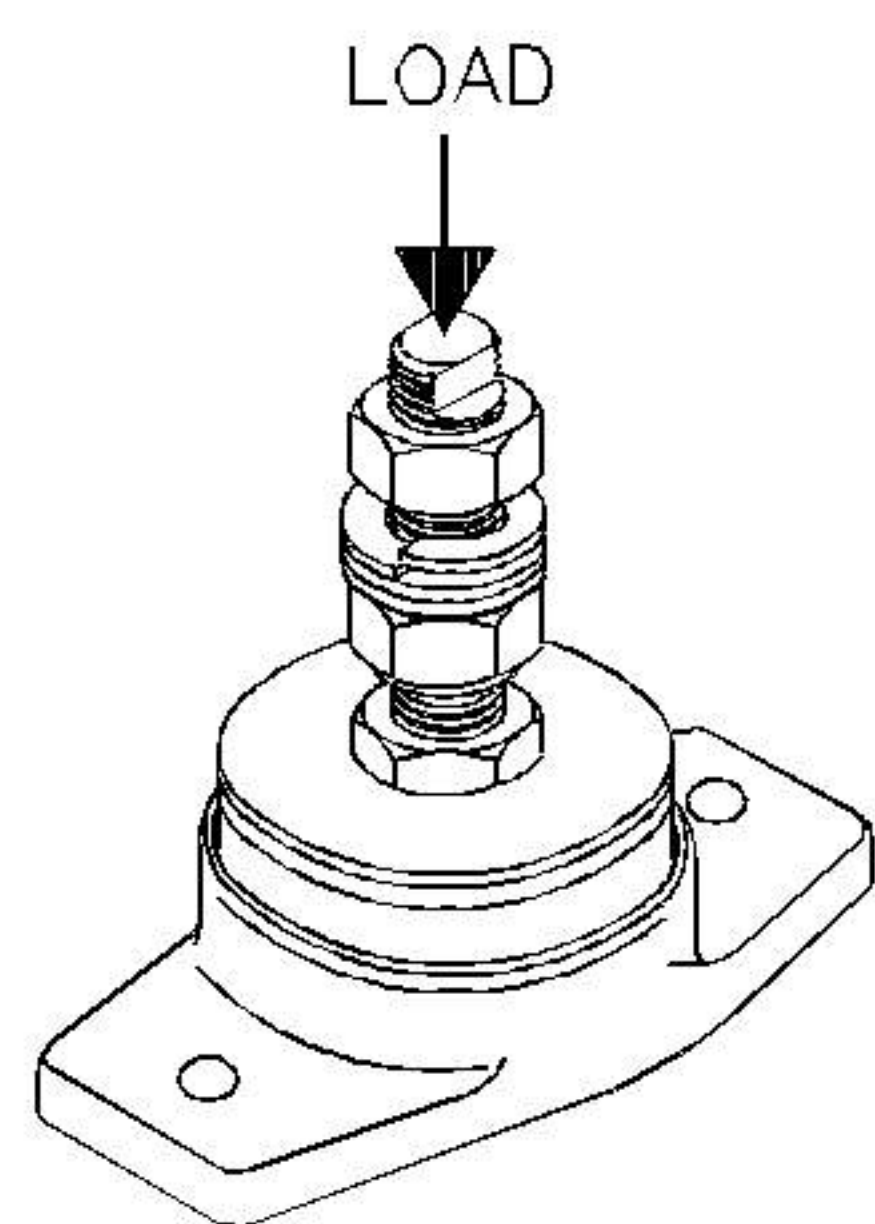
- \* ENGINEERING GRADE HEAT CURED POLYMER ALLOY
- \* ALL METAL PARTS - GOLD PASSIVATED ZINC PLATED



Dimensions are in mm.



GRAPH 1 : STATIC AXIAL(VERTICAL) LOAD VS. DEFLECTION



SUGGESTED CORE HARDNESS FOR: LIGHT DUTY   
HEAVY DUTY

THE ABOVE DATA IS SUPPLIED AS A GUIDE ONLY  
PRODUCT SPECIFICATIONS AND DATA SHEETS ARE SUBJECT TO CHANGE WITHOUT NOTICE.