

## POLY FLEX DATA SHEET

PRODUCT: MOUNT P-SYSTEM<sup>®</sup>

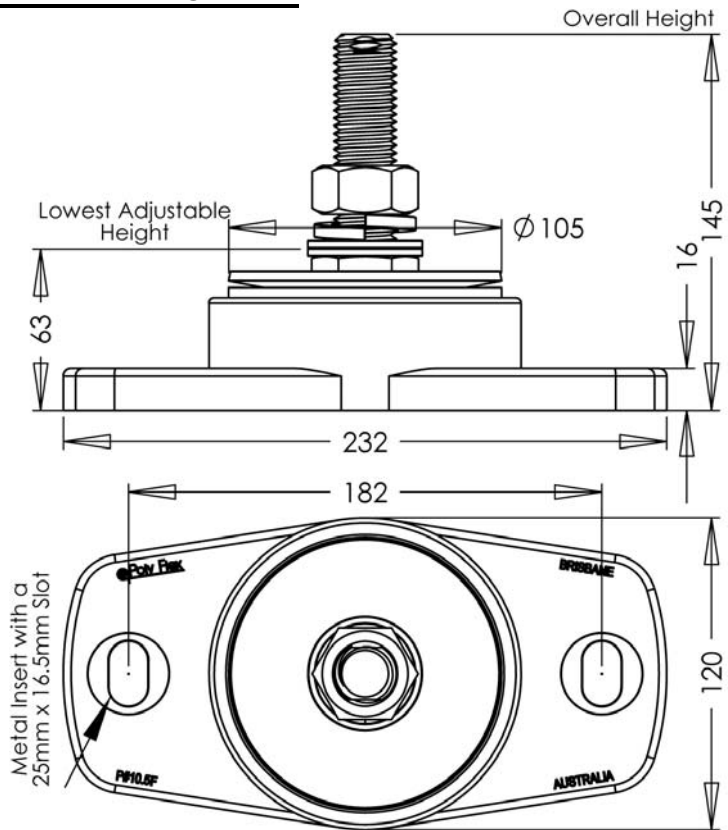
SERIES: 5F GENSET SERIES<sup>®</sup>

MODEL: P#10.5F 105-12-24 ( ) GEN

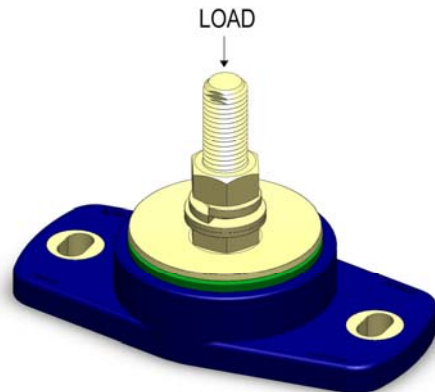
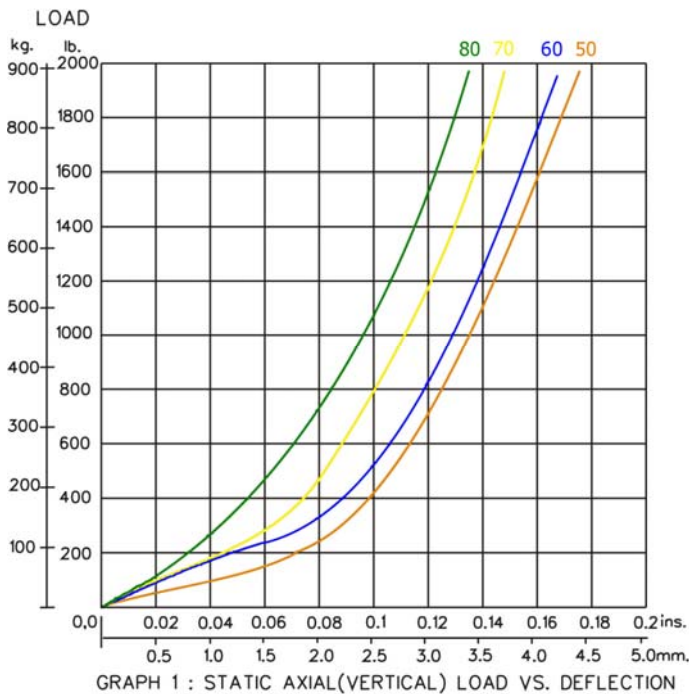
**MATERIAL SPECIFICATION**

- ENGINEERING GRADE HEAT CURED POLYMER ALLOY
- ALL METAL PARTS - SA5 COBALT ZINC PLATED

CORE COLOUR	SHORE HARDNESS
ORANGE	50
BLUE	60
YELLOW	70
GREEN	80



THE FOLLOWING DATA IS SUPPLIED AS A GUIDE ONLY.  
PRODUCT SPECIFICATIONS AND DATA SHEETS ARE SUBJECT TO CHANGE WITHOUT NOTICE.



**Poly Flex** © 2009  
PRODUCTS

DRAWING No. P#10.5FGEN24  
DRAWN OK. 08.07.09