

**POLY FLEX DATA SHEET**

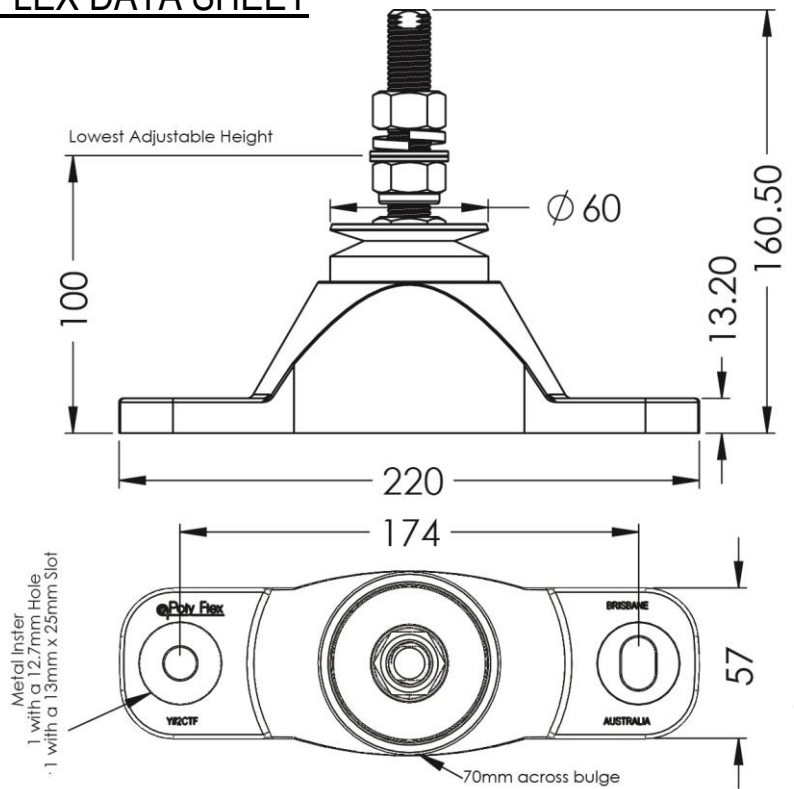
**PRODUCT:** MOUNT P-SYSTEM<sup>®</sup>

**SERIES:** Y SERIES<sup>®</sup>

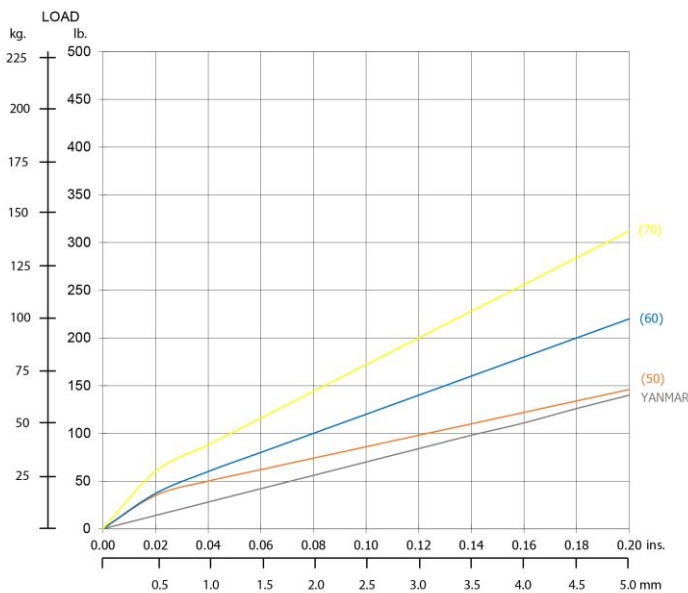
**MODEL:** Y#2CTF60-20-16 ( )

MATERIAL SPECIFICATION	
• ENGINEERING GRADE HEAT CURED POLYMER ALLOY	
• ALL METAL PARTS – SA5 COBALT ZINC PLATED	

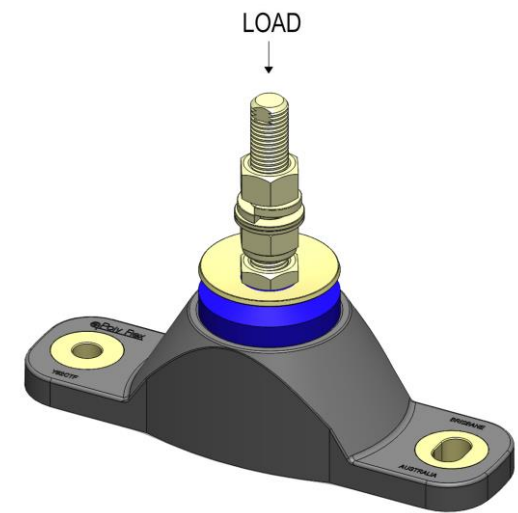
CORE COLOUR	SHORE HARDNESS
ORANGE	50
BLUE	60
YELLOW	70
GREEN	80



THE FOLLOWING DATA IS SUPPLIED AS A GUIDE ONLY.  
PRODUCT SPECIFICATIONS AND DATA SHEETS ARE SUBJECT TO CHANGE WITHOUT NOTICE.



GRAPH 1 : TOTAL STATIC AXIAL ( VERTICAL ) LOAD Va. DEFLECTION



**Poly Flex** © 2015  
PRODUCTS  
DRAWING No. Y2CTF  
DRAWN OK. 11.12.2015