

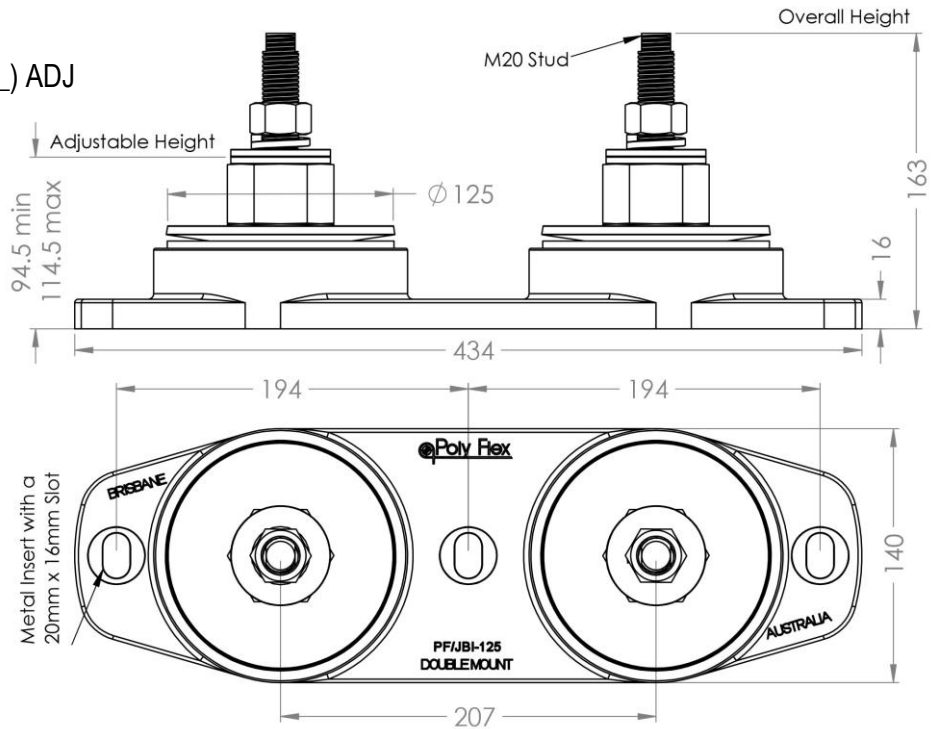
POLY FLEX DATA SHEET

PRODUCT: MOUNT P-SYSTEM[®]

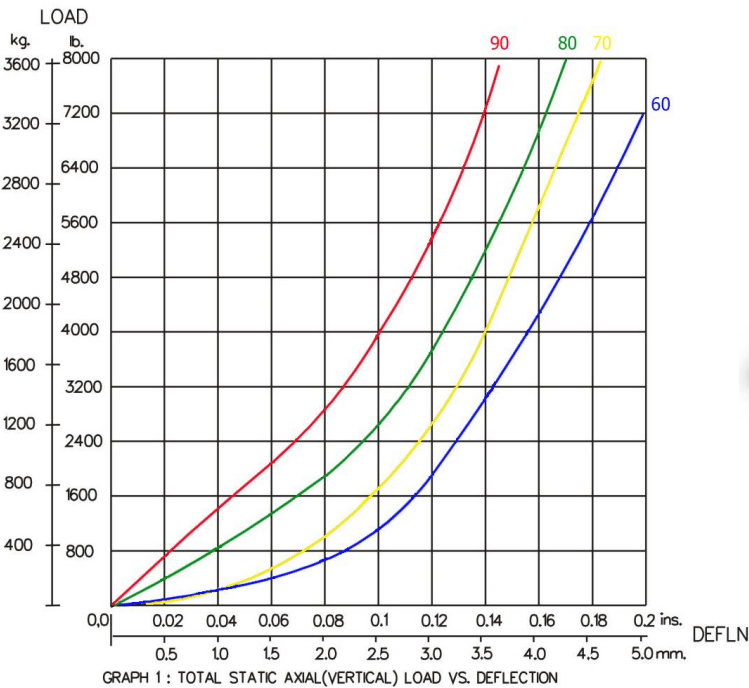
SERIES: .5F SERIES[®]

MODEL: PF/JBI-125-12-20 () ADJ

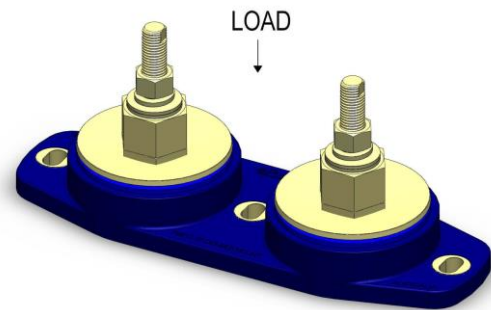
MATERIAL SPECIFICATION	
•	ENGINEERING GRADE HEAT CURED POLYMER ALLOY
•	ALL METAL PARTS – SA5 COBALT ZINC PLATED



THE FOLLOWING DATA IS SUPPLIED AS A GUIDE ONLY.
PRODUCT SPECIFICATIONS AND DATA SHEETS ARE SUBJECT
TO CHANGE WITHOUT NOTICE.



CORE COLOUR	SHORE HARDNESS
BLUE	60
YELLOW	70
GREEN	80
RED	90



Poly Flex © 2009
PRODUCTS

DRAWING No. P##12.5F-20A
DRAWN OK. 12.06.09

THE ABOVE DATA IS SUPPLIED AS A GUIDE ONLY.
PRODUCT SPECIFICATIONS AND DATA SHEETS ARE SUBJECT TO CHANGE WITHOUT NOTICE.