

POLY FLEX DATA SHEET

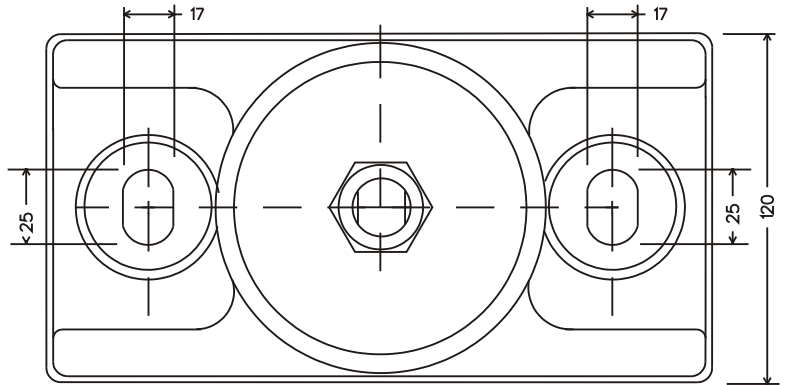
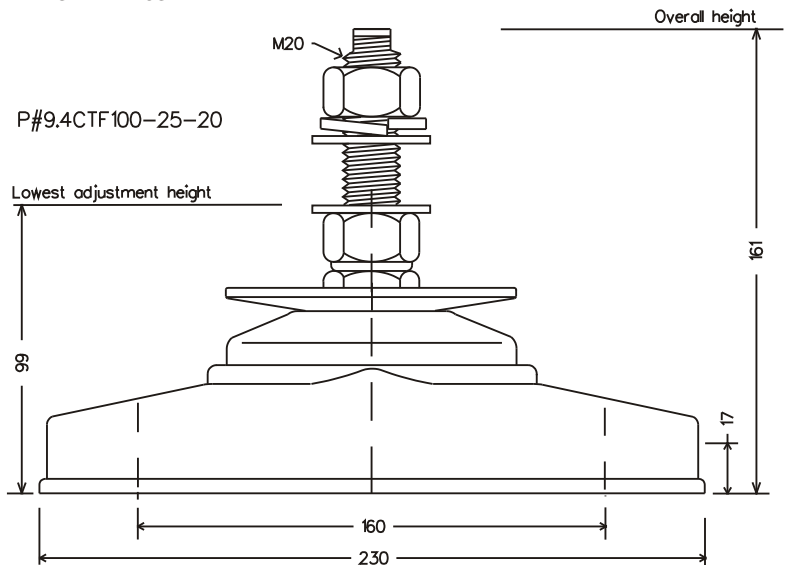
PRODUCT: MOUNT **P-SYSTEM**®

MODEL: **P#9.4CTF100-25-20**

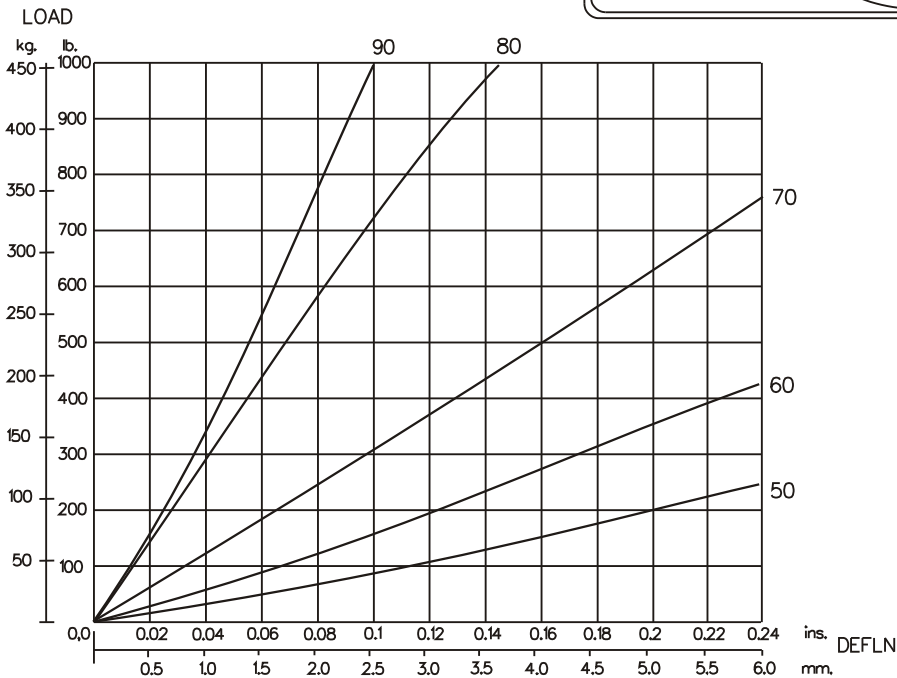
IDENTIFICATION SYSTEM				
P#F- - - ()				
BASE TYPE	CORE DIA.	CORE HEIGHT	THREAD SIZE	CORE HARDNESS

CORE COLOUR	SHORE HARDNESS
ORANGE	50
BLUE	60
YELLOW	70
GREEN	80
RED	90

MATERIAL SPECIFICATION
* ENGINEERING GRADE HEAT CURED POLYMER ALLOY
* ALL METAL PARTS - GOLD PASSIVATED ZINC PLATED

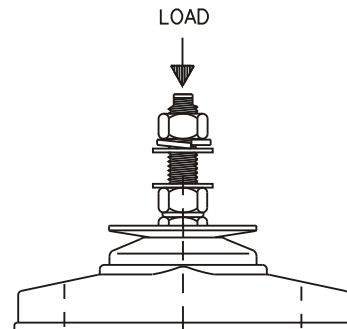


Dimensions are in mm.



GRAPH 1: STATIC AXIAL (VERTICAL) LOAD VS. DEFLECTION

THE ABOVE DATA IS SUPPLIED AS A GUIDE ONLY
PRODUCT SPECIFICATIONS AND DATA SHEETS ARE SUBJECT TO CHANGE WITHOUT NOTICE.



Poly Flex © 2003
Products

DRAWING NO: D9-4C20
DRAWN PB: 16/9/03