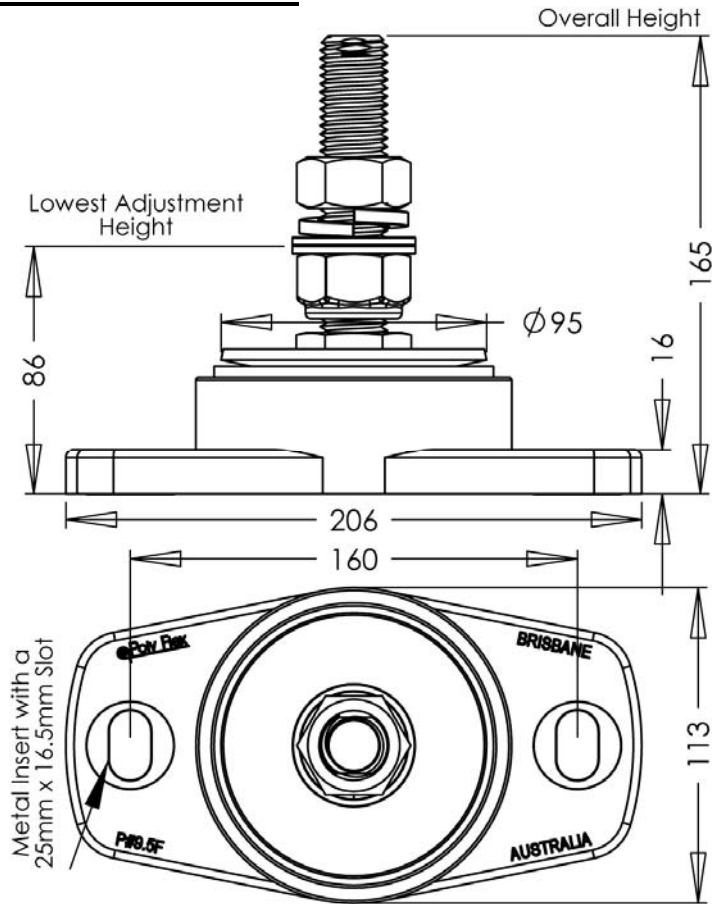


POLY FLEX DATA SHEET

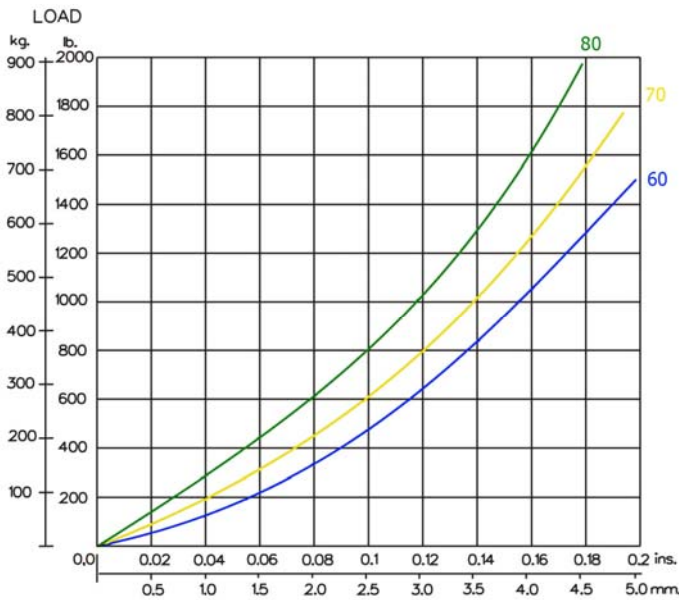
PRODUCT: MOUNT P-SYSTEM[®]
 SERIES: 5F SERIES[®]
 MODEL: P#9.5 F100-12-24 ()

MATERIAL SPECIFICATION	
• ENGINEERING GRADE HEAT CURED POLYMER ALLOY	
• ALL METAL PARTS - SA5 COBALT ZINC PLATED	

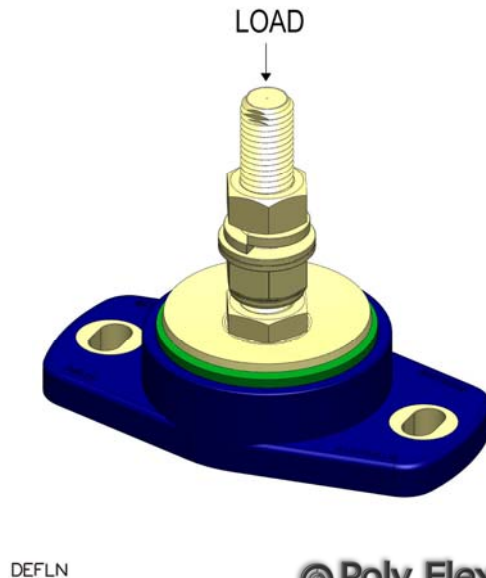
CORE COLOUR	SHORE HARDNESS
BLUE	60
YELLOW	70
GREEN	80



THE FOLLOWING DATA IS SUPPLIED AS A GUIDE ONLY.
 PRODUCT SPECIFICATIONS AND DATA SHEETS ARE SUBJECT TO CHANGE WITHOUT NOTICE.



GRAPH 1 : STATIC AXIAL(VERTICAL) LOAD VS. DEFLECTION



Poly Flex © 2009
 PRODUCTS
 DRAWING No. P#9.5F-24
 DRAWN OK. 03.07.09