

## POLY FLEX DATA SHEET

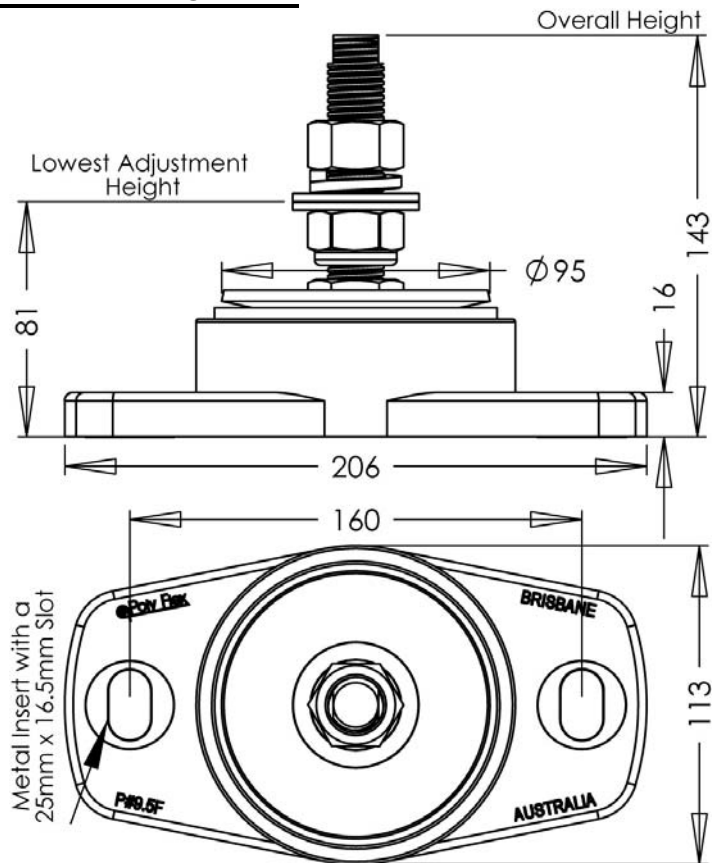
PRODUCT: MOUNT P-SYSTEM<sup>®</sup>

SERIES: 5F SERIES<sup>®</sup>

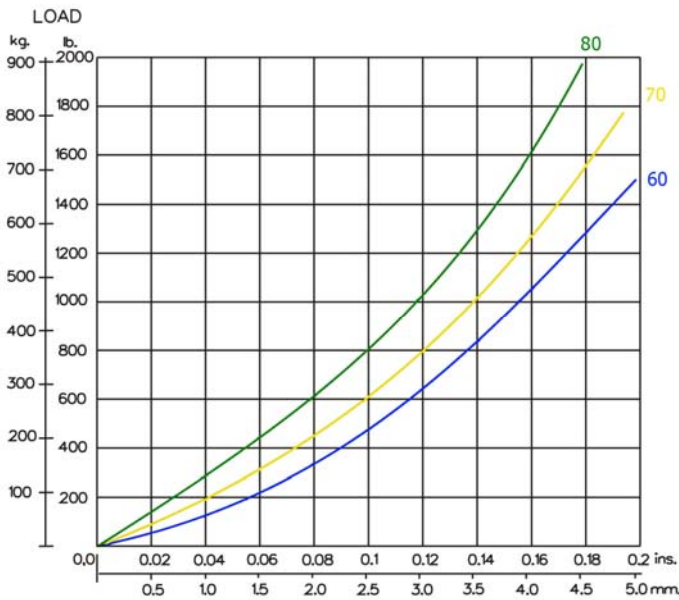
MODEL: P#9.5 F100-12-20 ( )

MATERIAL SPECIFICATION	
<ul style="list-style-type: none"> <li>ENGINEERING GRADE HEAT CURED POLYMER ALLOY</li> <li>ALL METAL PARTS - SA5 COBALT ZINC PLATED</li> </ul>	

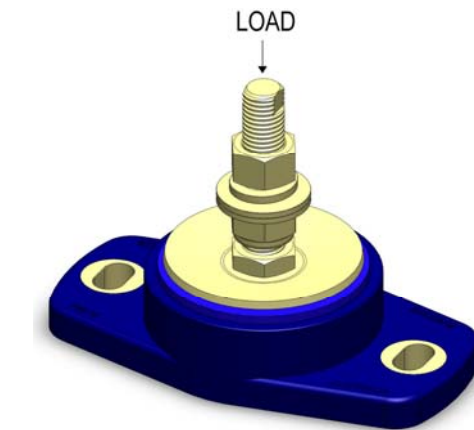
CORE COLOUR	SHORE HARDNESS
BLUE	60
YELLOW	70
GREEN	80



THE FOLLOWING DATA IS SUPPLIED AS A GUIDE ONLY.  
PRODUCT SPECIFICATIONS AND DATA SHEETS ARE SUBJECT TO CHANGE WITHOUT NOTICE.



GRAPH 1: STATIC AXIAL(VERTICAL) LOAD VS. DEFLECTION



**Poly Flex** © 2009  
PRODUCTS

DRAWING No. P#9.5F-20  
DRAWN OK. 03.07.09