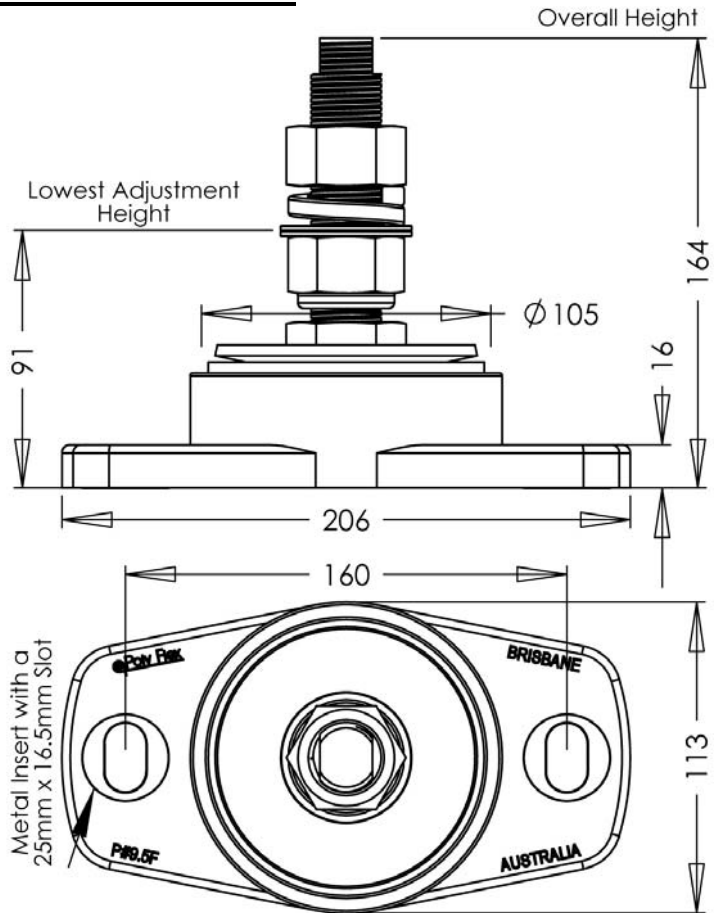


**POLY FLEX DATA SHEET**

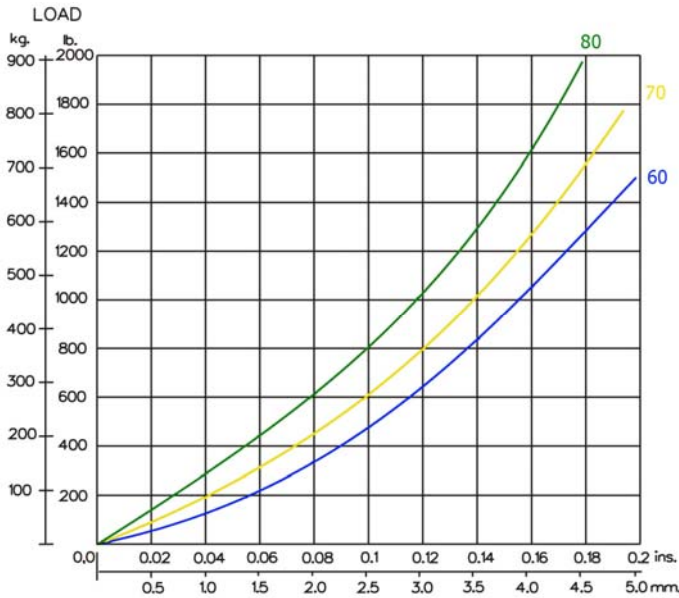
PRODUCT: MOUNT P-SYSTEM<sup>®</sup>  
 SERIES: 5F SERIES<sup>®</sup>  
 MODEL: P#9.5 F100-12-1" ( )

MATERIAL SPECIFICATION	
• ENGINEERING GRADE HEAT CURED POLYMER ALLOY	
• ALL METAL PARTS - SA5 COBALT ZINC PLATED	

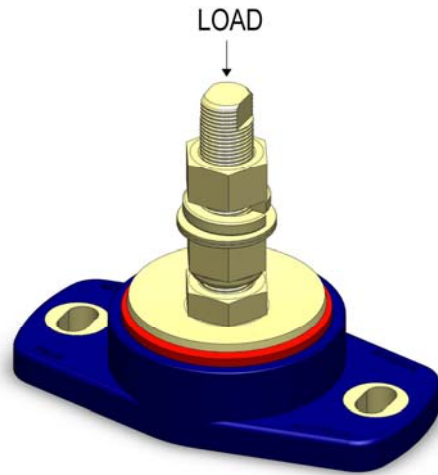
CORE COLOUR	SHORE HARDNESS
BLUE	60
YELLOW	70
GREEN	80



THE FOLLOWING DATA IS SUPPLIED AS A GUIDE ONLY. PRODUCT SPECIFICATIONS AND DATA SHEETS ARE SUBJECT TO CHANGE WITHOUT NOTICE.



GRAPH 1 : STATIC AXIAL(VERTICAL) LOAD VS. DEFLECTION



**Poly Flex** © 2009  
 PRODUCTS  
 DRAWING No. P#9.5F-1  
 DRAWN OK. 03.07.09