

POLY FLEX DATA SHEET

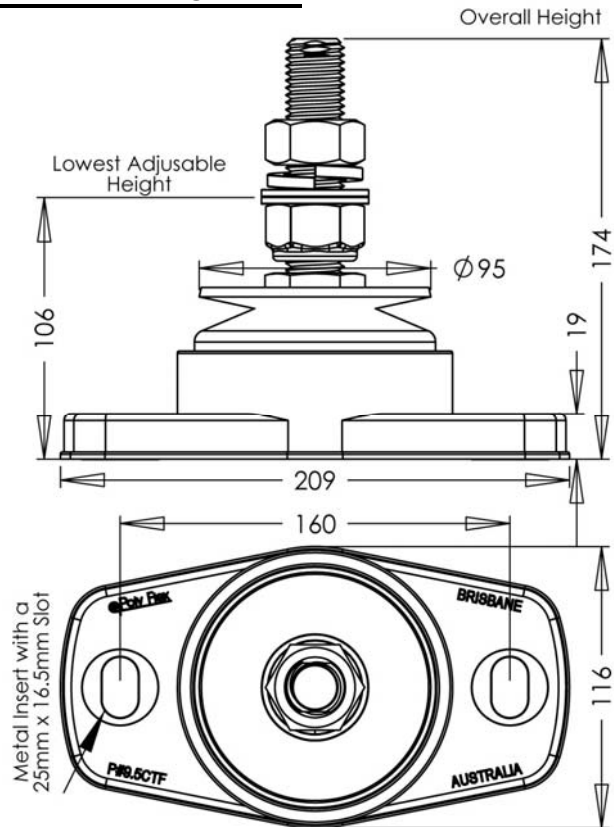
PRODUCT: MOUNT P-SYSTEM[®]

SERIES: 5CTF SERIES[®]

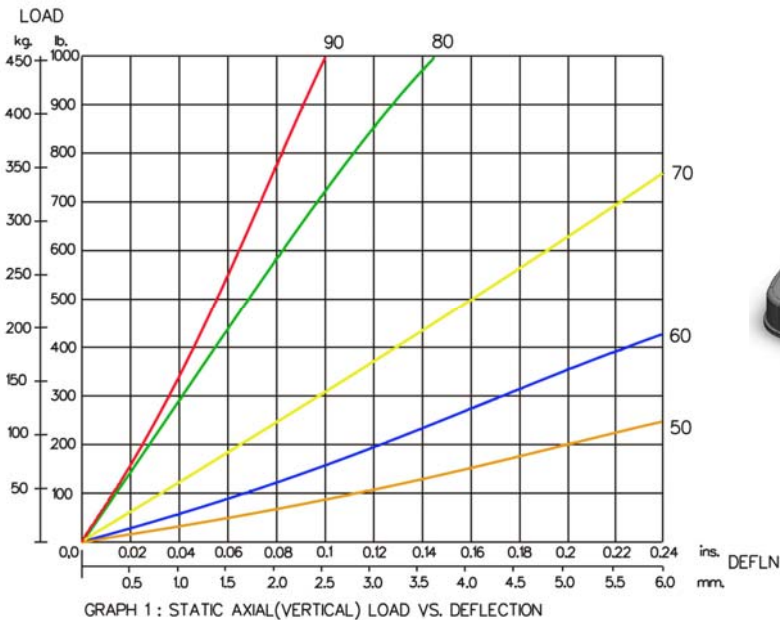
MODEL: P#9.5CTF 100-25-24 ()

| MATERIAL SPECIFICATION | |
|----------------------------------------------|--|
| • ENGINEERING GRADE HEAT CURED POLYMER ALLOY | |
| • ALL METAL PARTS - SA5 COBALT ZINC PLATED | |

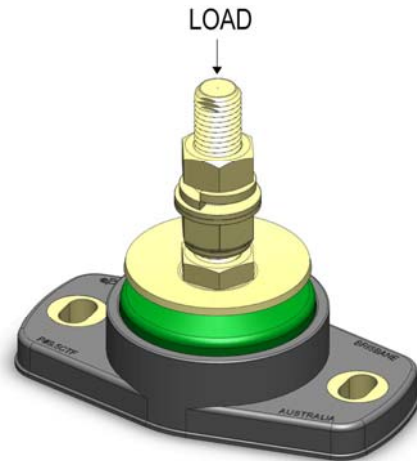
| CORE COLOUR | SHORE HARDNESS |
|-------------|----------------|
| ORANGE | 50 |
| BLUE | 60 |
| YELLOW | 70 |
| GREEN | 80 |
| RED | 90 |



THE FOLLOWING DATA IS SUPPLIED AS A GUIDE ONLY.
PRODUCT SPECIFICATIONS AND DATA SHEETS ARE SUBJECT TO CHANGE WITHOUT NOTICE.



GRAPH 1: STATIC AXIAL (VERTICAL) LOAD VS. DEFLECTION



Poly Flex © 2009
PRODUCTS

DRAWING No. P#9.5CTF-24
DRAWN OK. 21.07.09