

## POLY FLEX DATA SHEET

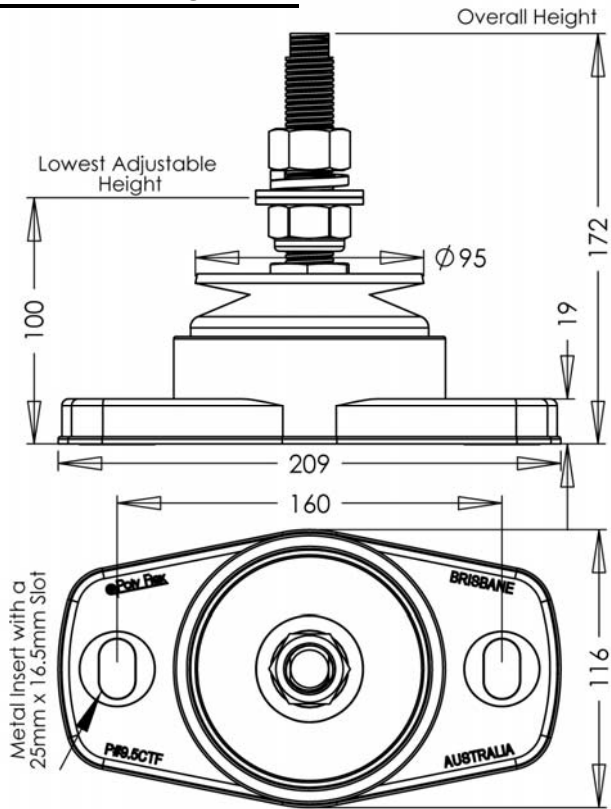
PRODUCT: MOUNT P-SYSTEM<sup>®</sup>

SERIES: 5CTF SERIES

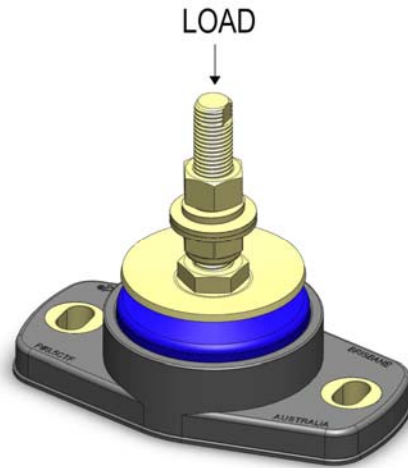
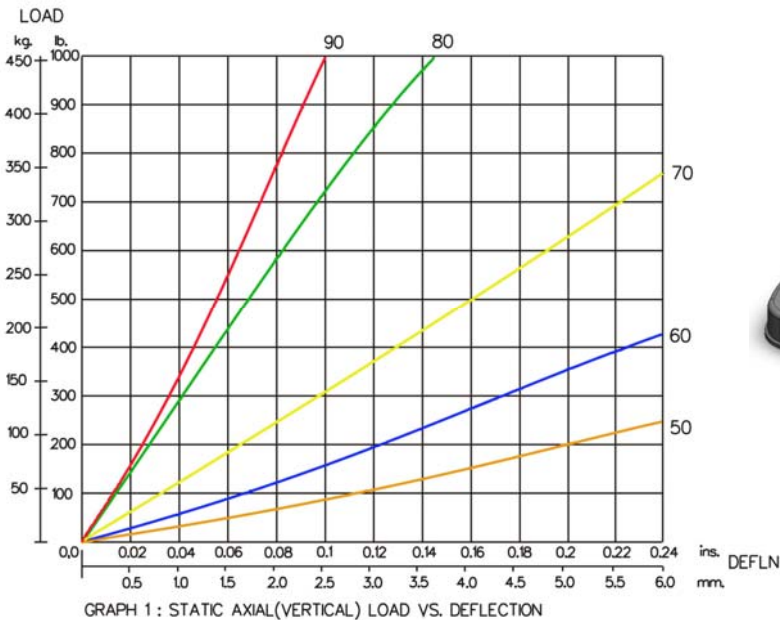
MODEL: P#9.5CTF 100-25-20 ( )

| MATERIAL SPECIFICATION   |  |
|--|--|
| <ul style="list-style-type: none"> <li>ENGINEERING GRADE HEAT CURED POLYMER ALLOY</li> <li>ALL METAL PARTS - SA5 COBALT ZINC PLATED</li> </ul> |  |

| CORE COLOUR | SHORE HARDNESS |
|-------------|----------------|
| ORANGE      | 50             |
| BLUE        | 60             |
| YELLOW      | 70             |
| GREEN       | 80             |
| RED         | 90             |



THE FOLLOWING DATA IS SUPPLIED AS A GUIDE ONLY.  
PRODUCT SPECIFICATIONS AND DATA SHEETS ARE SUBJECT TO CHANGE WITHOUT NOTICE.



**Poly Flex** © 2009  
PRODUCTS

DRAWING No. P#9.5CTF-20  
DRAWN OK. 21.07.09