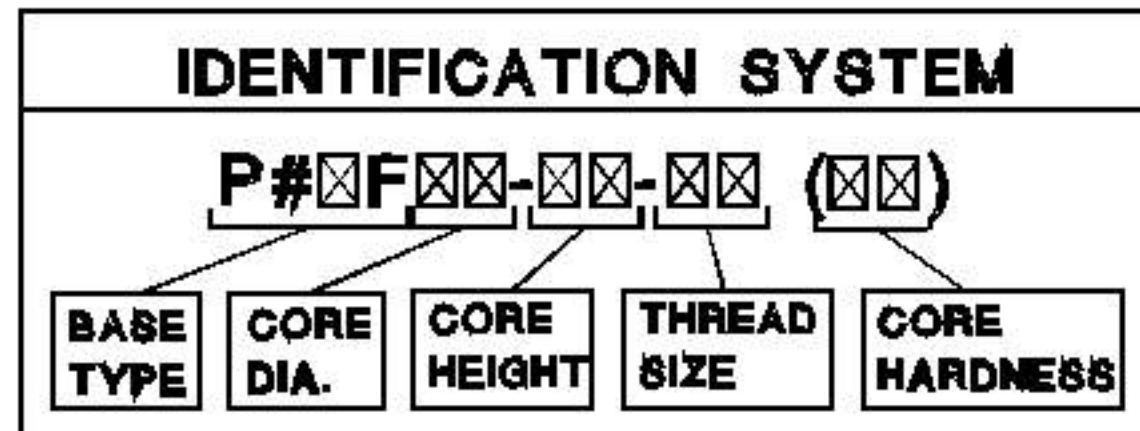


DATA SHEET

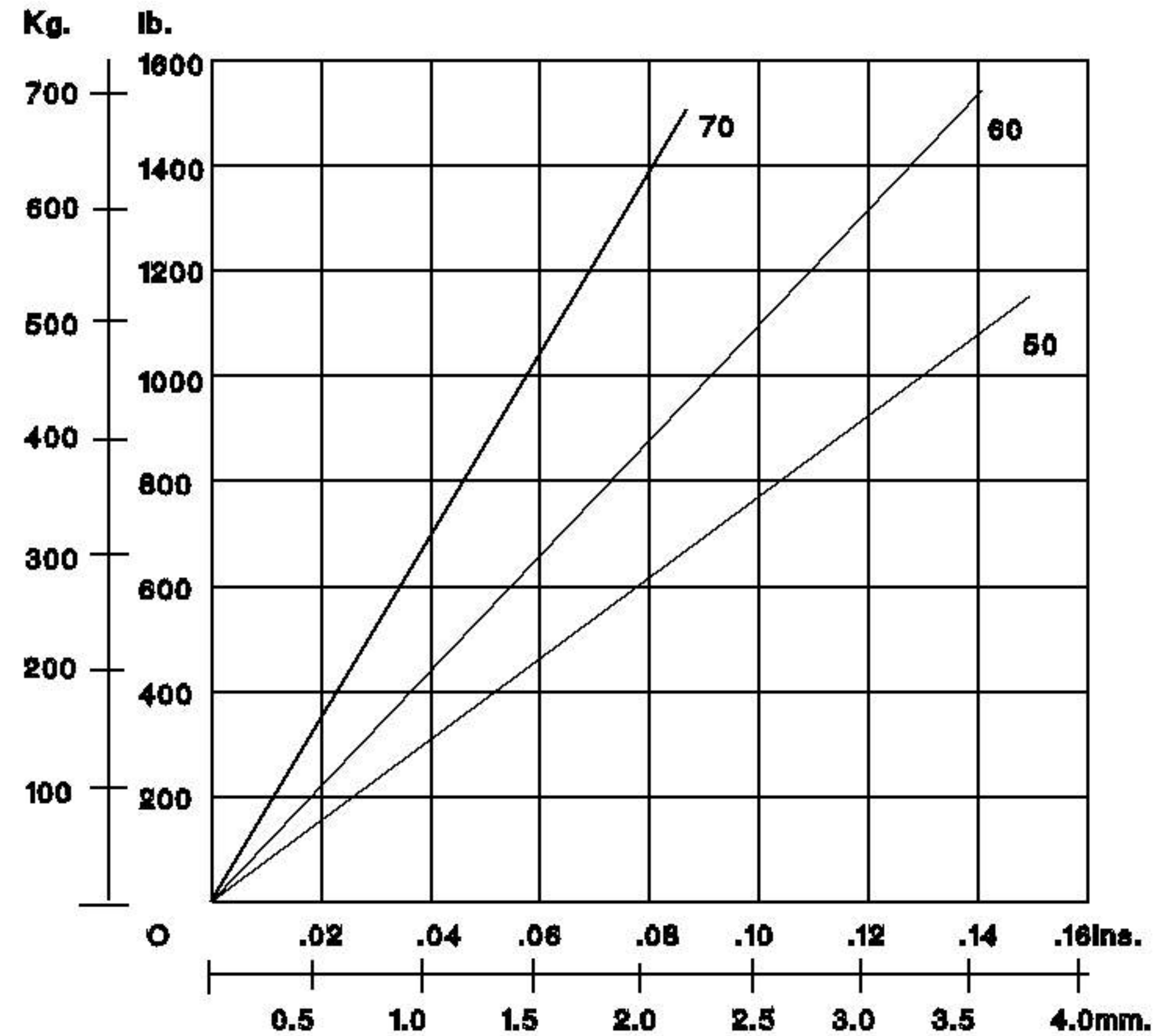
PRODUCT: MOUNT P-SYSTEM[®]
MODEL: P##8F80-20-20



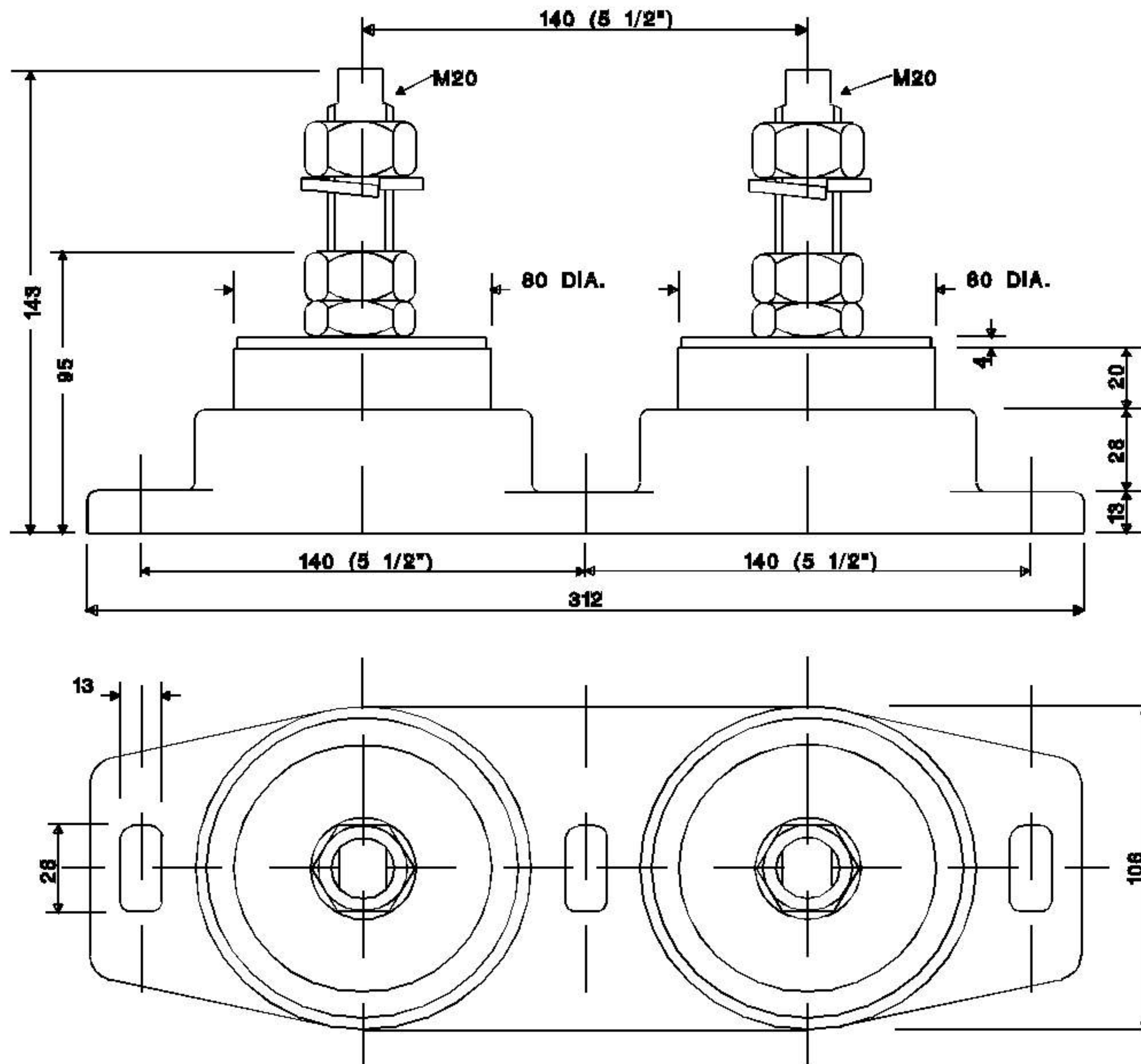
CORE COLOUR	SHORE HARDNESS
ORANGE	50
BLUE	60
YELLOW	70

MATERIAL SPECIFICATION

- * ENGINEERING GRADE HEAT CURED POLYMER ALLOY
- * ALL METAL PARTS - GOLD PASSIVATED ZINC PLATED



GRAPH : STATIC LOAD VS. DEFLECTION



© 1996

Drawing Number : P##8FM20
Drawn : P.E.B. 19/2/96