

POLY FLEX DATA SHEET

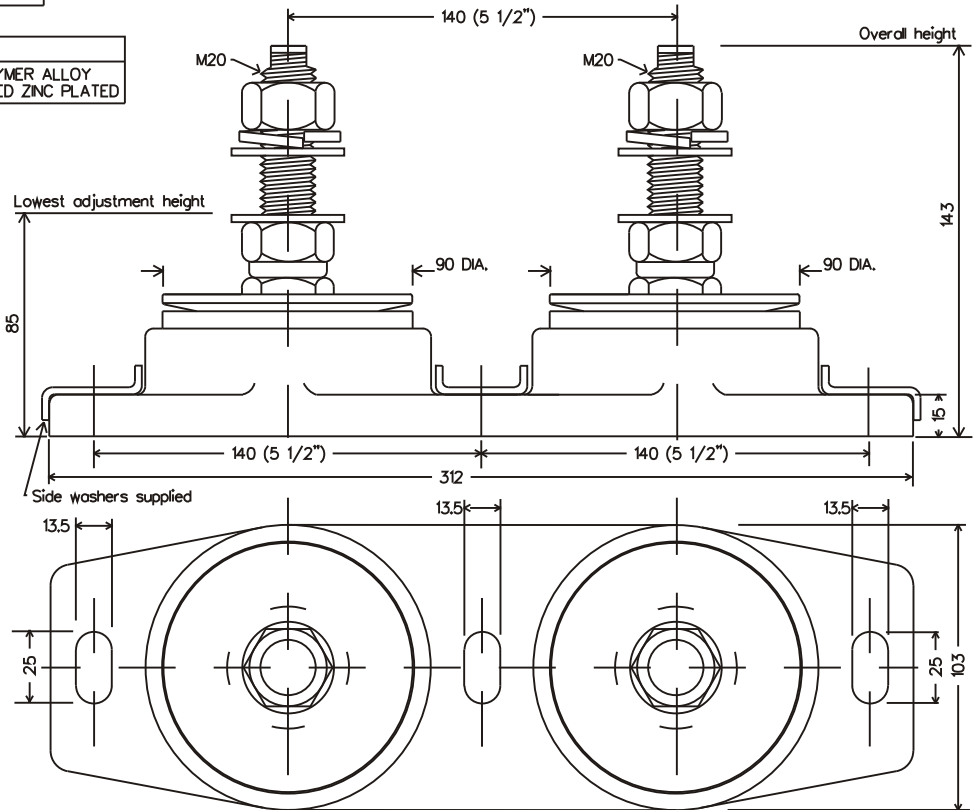
PRODUCT: MOUNT **P-SYSTEM**<sup>®</sup>

MODEL: **P##8.5F90-12-20**

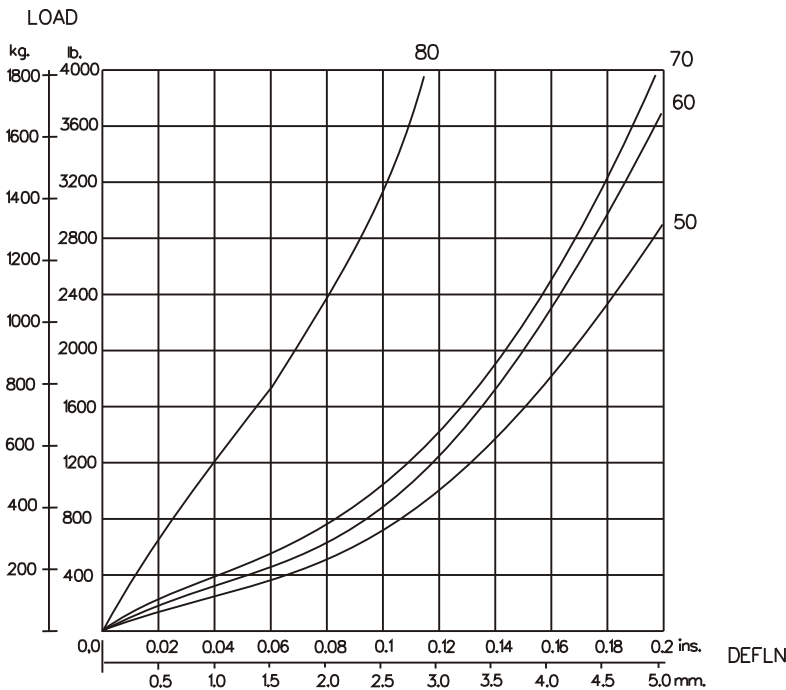
MATERIAL SPECIFICATION	
•	ENGINEERING GRADE HEAT CURED POLYMER ALLOY
•	ALL METAL PARTS - GOLD PASSIVATED ZINC PLATED

IDENTIFICATION SYSTEM				
P#F##-##-##(##)				
BASE TYPE	CORE DIA.	CORE HEIGHT	THREAD SIZE	CORE HARDNESS

CORE COLOUR	SHORE HARDNESS
ORANGE	50
BLUE	60
YELLOW	70
LIGHT GREEN	80



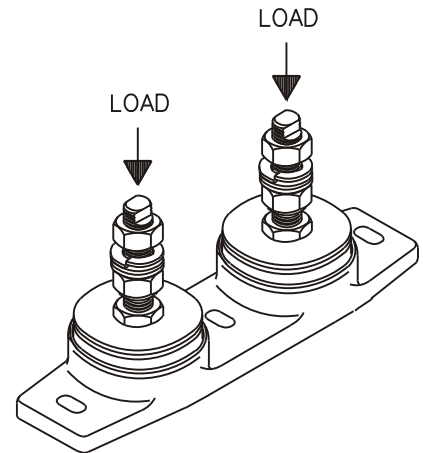
Dimensions are in mm.



GRAPH 1: TOTAL STATIC AXIAL (VERTICAL) LOAD VS. DEFLECTION

SUGGESTED CORE HARDNESS FOR: LIGHT DUTY   
HEAVY DUTY

THE ABOVE DATA IS SUPPLIED AS A GUIDE ONLY. PRODUCT SPECIFICATIONS AND DATA SHEETS ARE SUBJECT TO CHANGE WITHOUT NOTICE.



**Poly Flex** © 1996  
Products

DRAWING NO: DD8-5F20  
DRAWN PB: 7/3/96