

POLY FLEX DATA SHEET

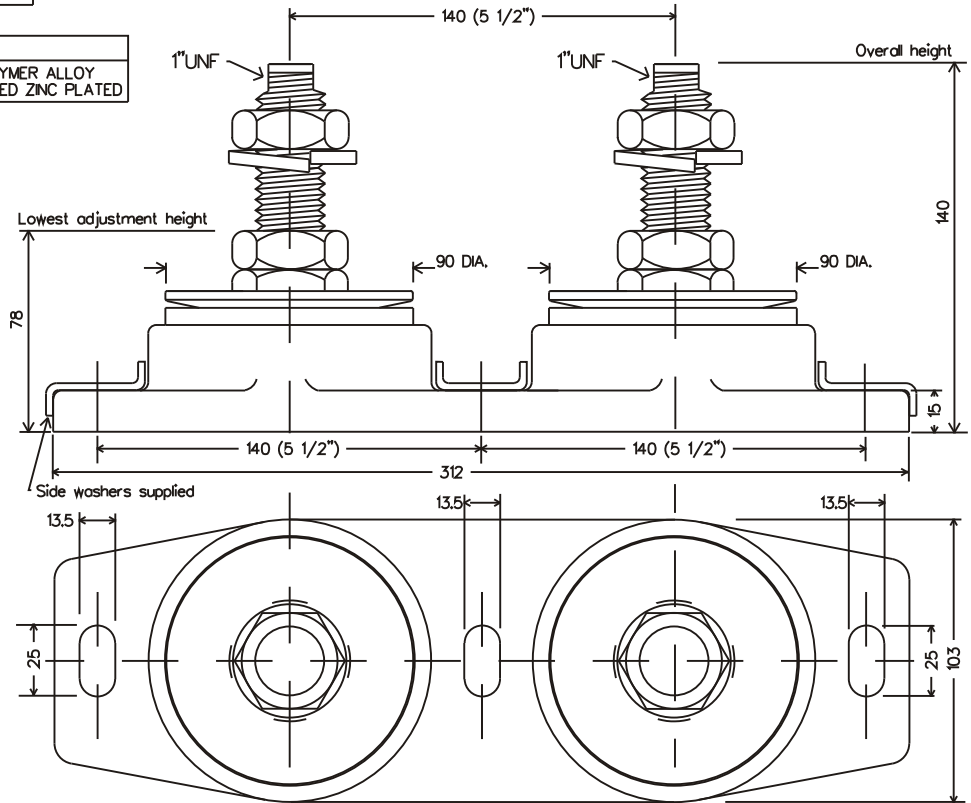
PRODUCT: MOUNT **P-SYSTEM**[®]

MODEL: **P##8.5F90-12-1"**

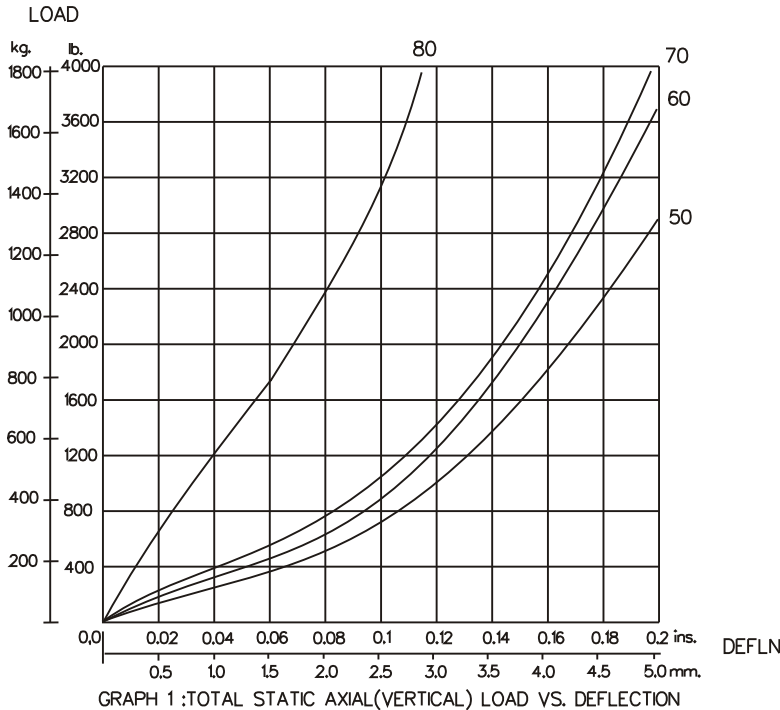
MATERIAL SPECIFICATION	
* ENGINEERING GRADE HEAT CURED POLYMER ALLOY	
* ALL METAL PARTS - GOLD PASSIVATED ZINC PLATED	

IDENTIFICATION SYSTEM				
P##F##-##-##(##)				
BASE TYPE	CORE DIA.	CORE HEIGHT	THREAD SIZE	CORE HARDNESS

CORE COLOUR	SHORE HARDNESS
ORANGE	50
BLUE	60
YELLOW	70
LIGHT GREEN	80

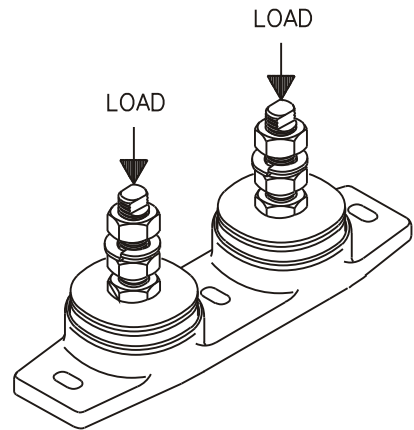


Dimensions are in mm.



SUGGESTED CORE HARDNESS FOR: LIGHT DUTY HEAVY DUTY

THE ABOVE DATA IS SUPPLIED AS A GUIDE ONLY. PRODUCT SPECIFICATIONS AND DATA SHEETS ARE SUBJECT TO CHANGE WITHOUT NOTICE.



Poly Flex © 1996
Products

DRAWING NO: DD8-5F-1
DRAWN PB. 7/3/96