

POLY FLEX DATA SHEET

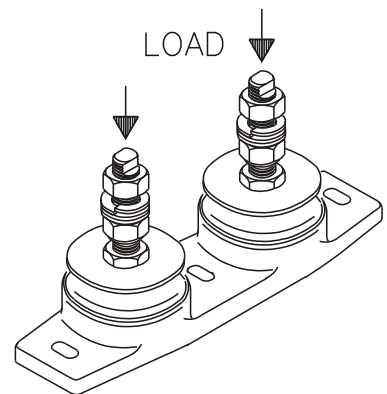
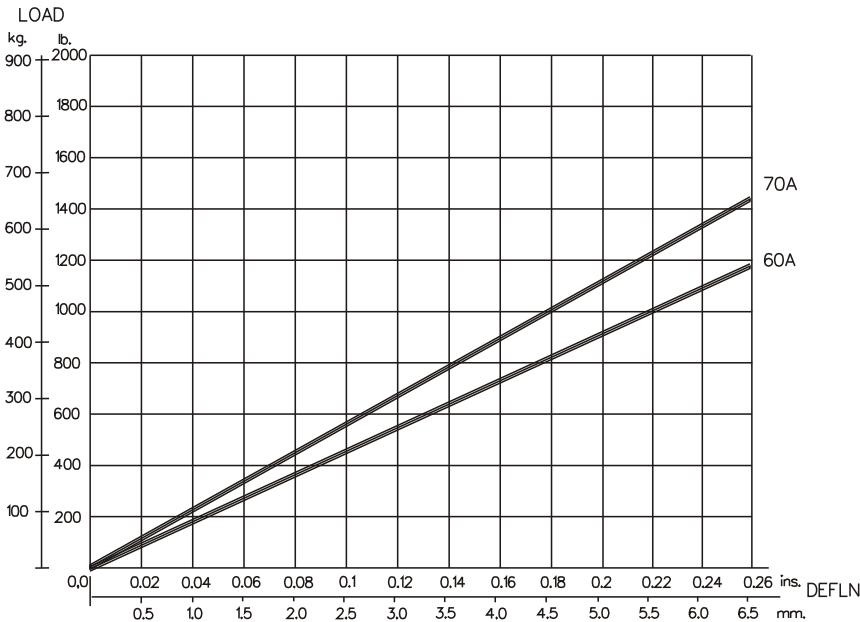
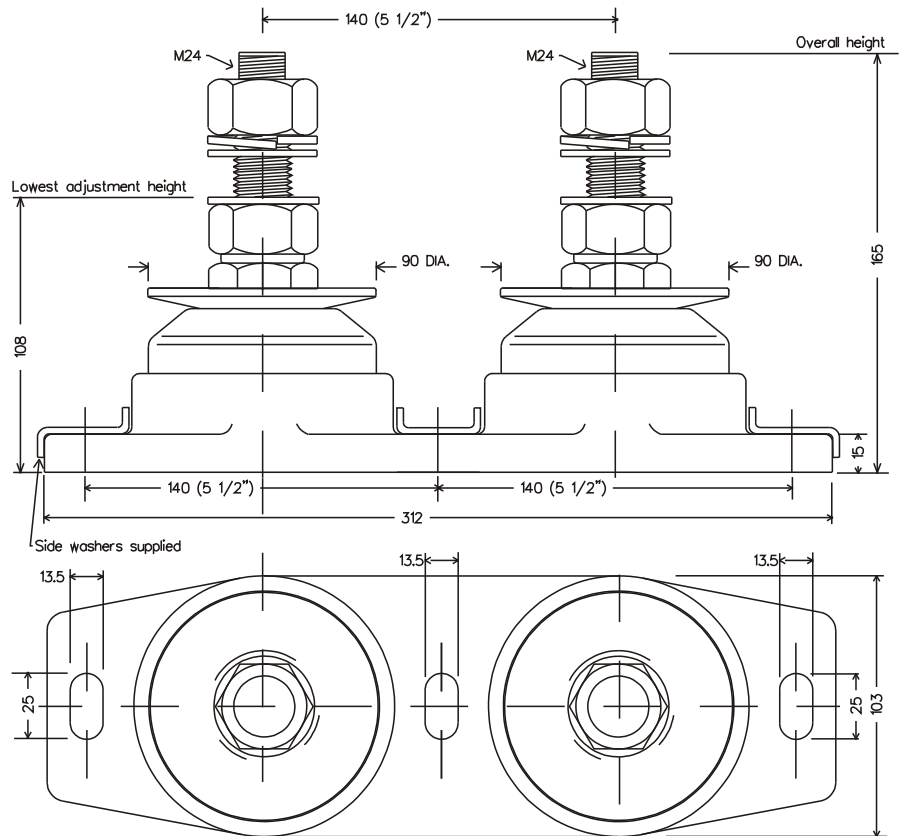
PRODUCT: MOUNT **P-SYSTEM**®

MODEL: **P##8.5CTF90-30-24**

IDENTIFICATION SYSTEM				
P##8.5CTF90-30-24				
BASE TYPE	CORE DIA.	CORE HEIGHT	THREAD SIZE	CORE HARDNESS

CORE COLOUR	SHORE HARDNESS
BLUE	60
YELLOW	70

MATERIAL SPECIFICATION	
* ENGINEERING GRADE HEAT CURED POLYMER ALLOY	
* ALL METAL PARTS - GOLD PASSIVATED ZINC PLATED	



Poly Flex © 2001
Products
DRAWING NO: DD8-5C24
DRAWN PB. 31/8/01