

POLY FLEX DATA SHEET

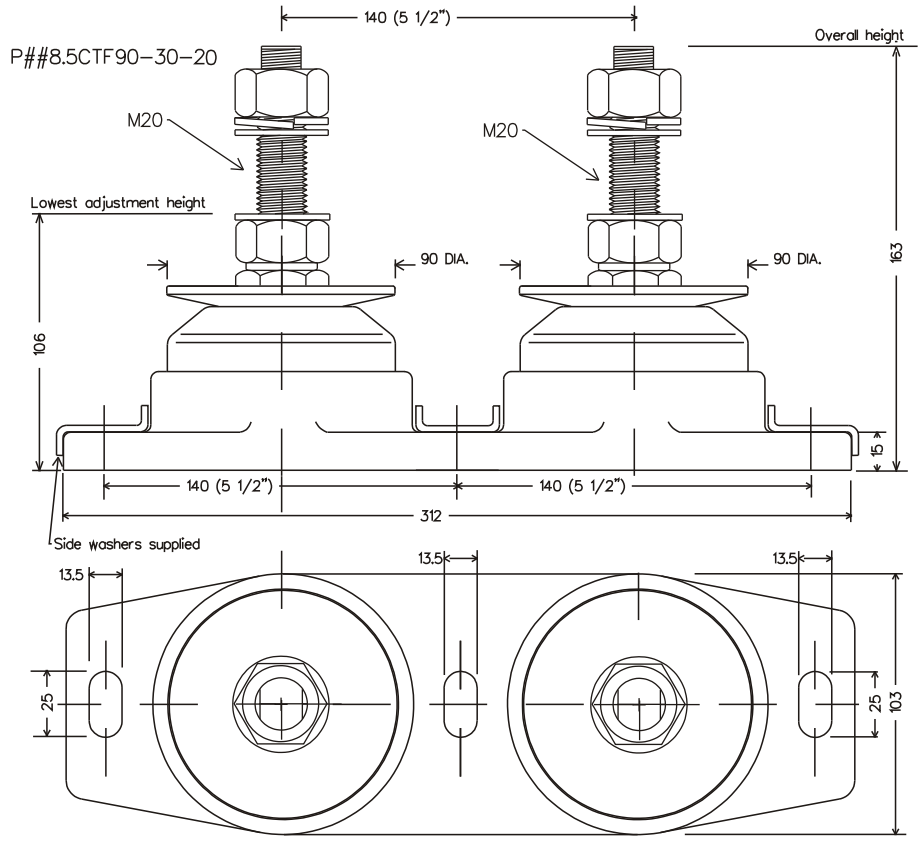
PRODUCT: MOUNT P-SYSTEM[®]

MODEL: P##8.5CTF90-30-20

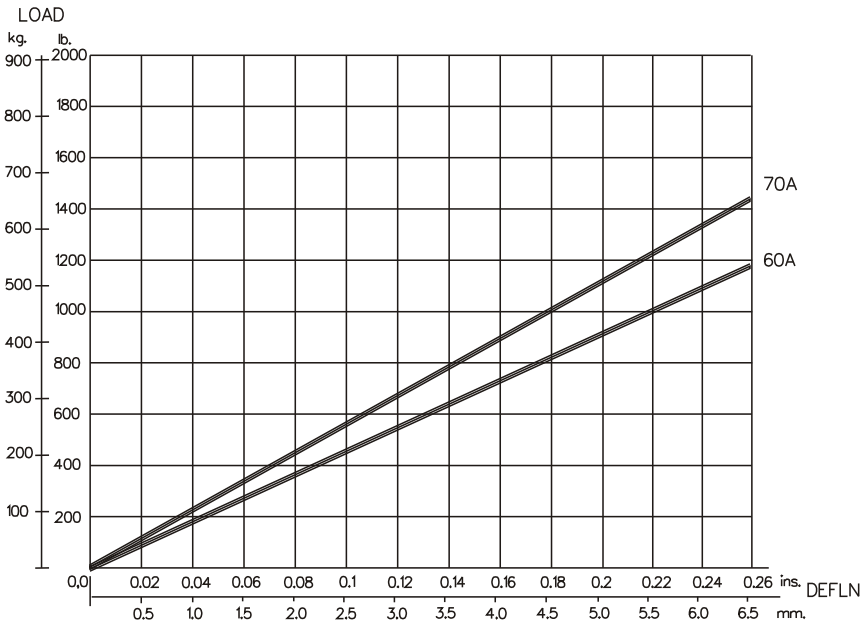
IDENTIFICATION SYSTEM				
P##8.5CTF90-30-20				
BASE TYPE	CORE DIA.	CORE HEIGHT	THREAD SIZE	CORE HARDNESS

CORE COLOUR	SHORE HARDNESS
BLUE	60
YELLOW	70

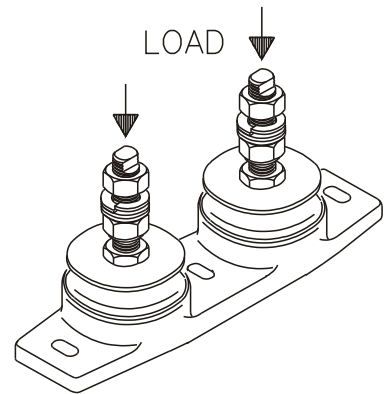
MATERIAL SPECIFICATION	
* ENGINEERING GRADE HEAT CURED POLYMER ALLOY	
* ALL METAL PARTS - GOLD PASSIVATED ZINC PLATED	



Dimensions are in mm.



GRAPH 1: STATIC AXIAL (VERTICAL) LOAD VS. DEFLECTION



Poly Flex © 2001
Products

DRAWING NO: DD8-5C20
DRAWN PB. 31/8/01