

POLY FLEX DATA SHEET

PRODUCT: MOUNT [P-SYSTEM][®]

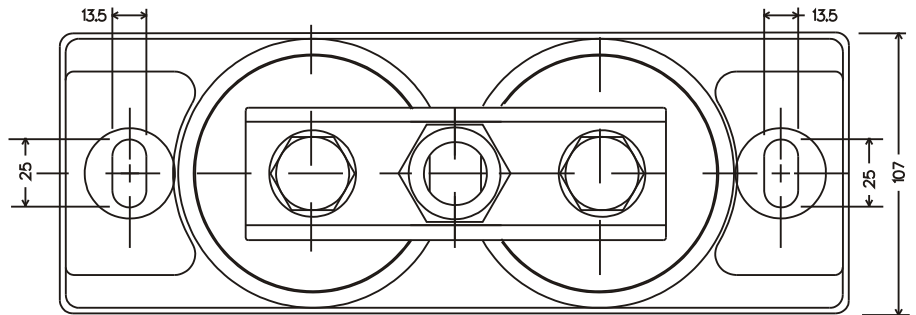
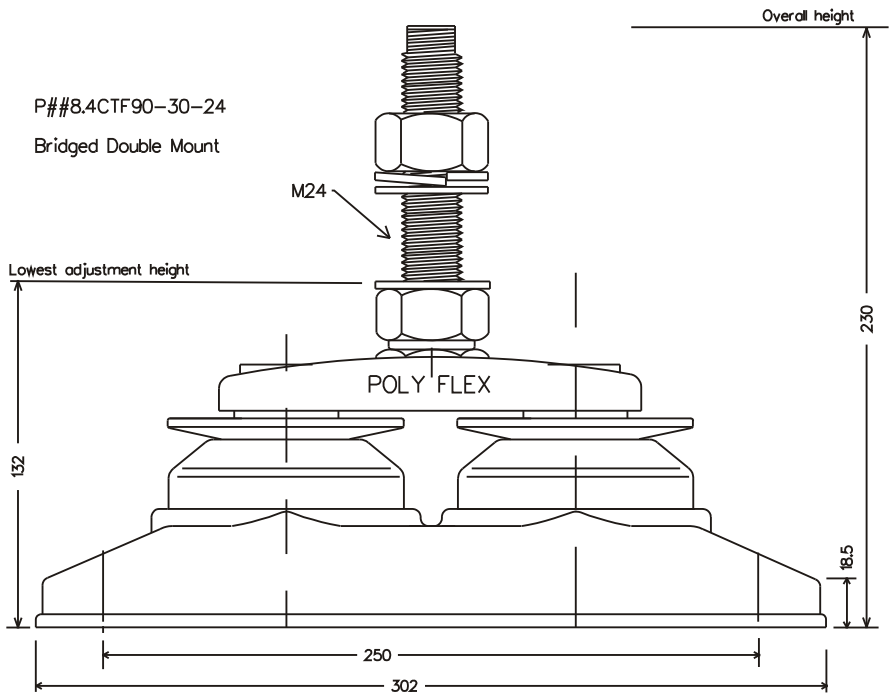
MODEL:

P##8.4CTF90-30-24(BRIDGE)

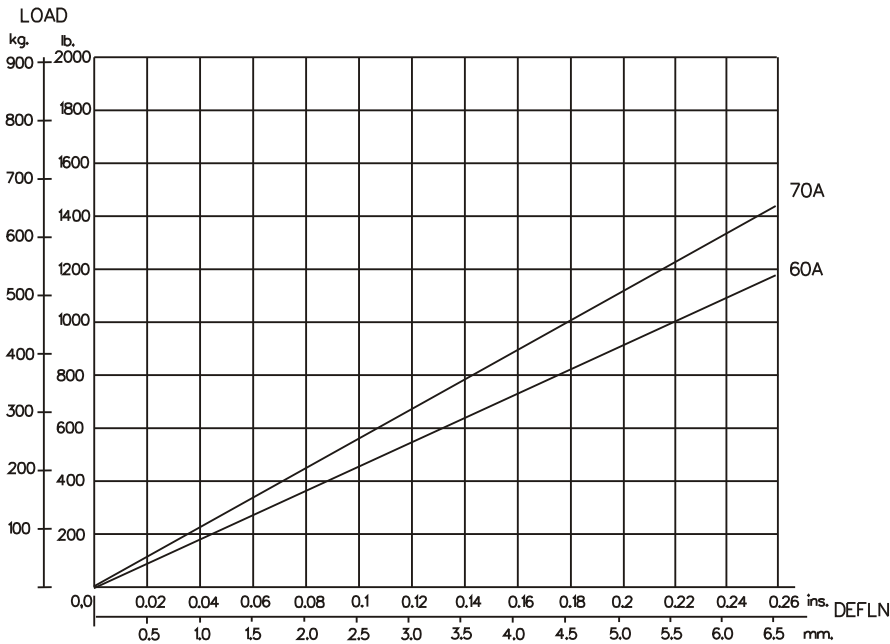
IDENTIFICATION SYSTEM				
P##8.4CTF90-30-24(BRIDGE)				
BASE TYPE	CORE DIA.	CORE HEIGHT	THREAD SIZE	CORE HARDNESS

CORE COLOUR	SHORE HARDNESS
BLUE	60
YELLOW	70

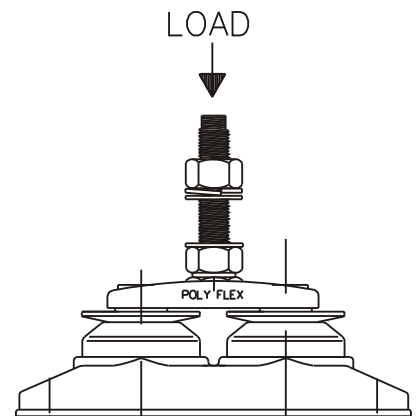
MATERIAL SPECIFICATION	
* ENGINEERING GRADE HEAT CURED POLYMER ALLOY	
* ALL METAL PARTS - GOLD PASSIVATED ZINC PLATED	



Dimensions are in mm.



GRAPH 1: STATIC AXIAL (VERTICAL) LOAD VS. DEFLECTION



Poly Flex © 2002
Products

DRAWING NO: DD8-4CBR
DRAWN PB: 30/10/02