

POLY FLEX DATA SHEET

PRODUCT: MOUNT **P-SYSTEM**®

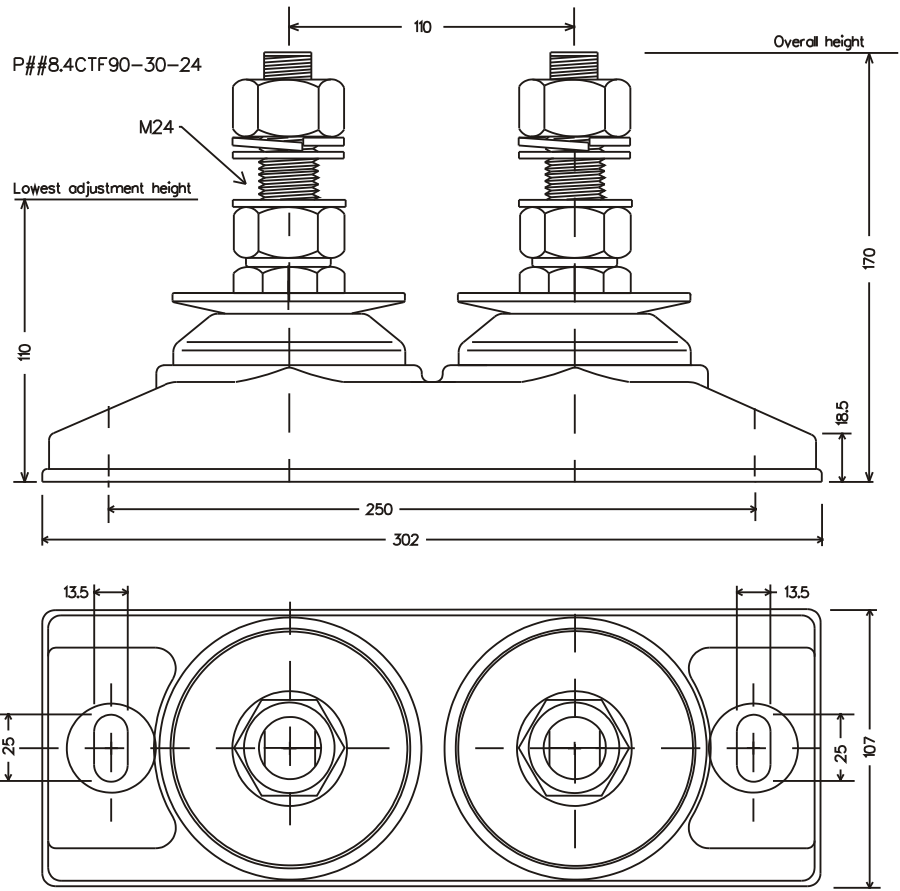
MODEL:

P##8.4CTF90-30-24

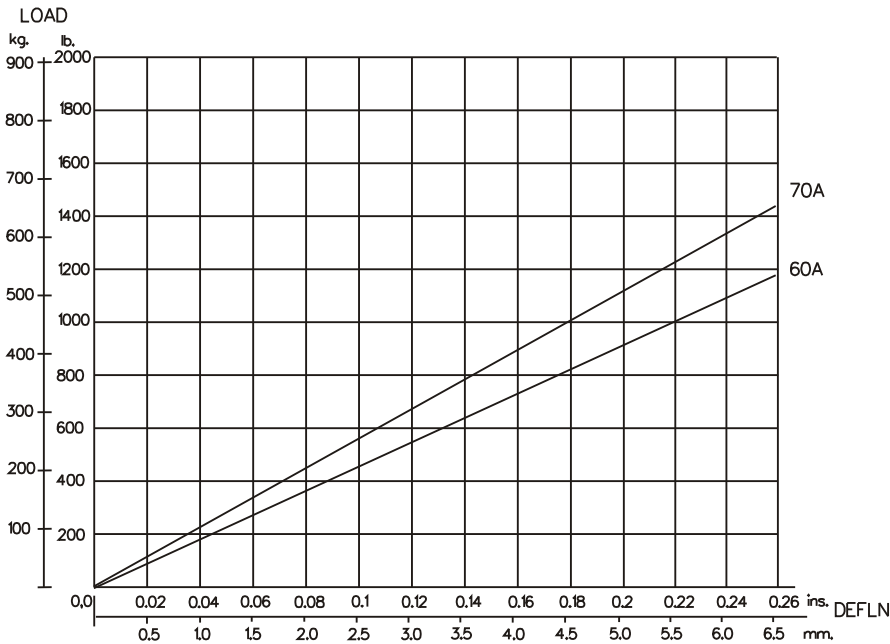
IDENTIFICATION SYSTEM				
P##8.4CTF90-30-24 (XX)				
BASE TYPE	CORE DIA.	CORE HEIGHT	THREAD SIZE	CORE HARDNESS

CORE COLOUR	SHORE HARDNESS
ORANGE	50
BLUE	60
YELLOW	70
GREEN	80
RED	90

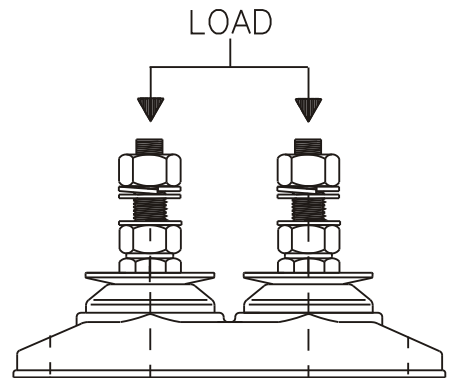
MATERIAL SPECIFICATION	
•	ENGINEERING GRADE HEAT CURED POLYMER ALLOY
•	ALL METAL PARTS - GOLD PASSIVATED ZINC PLATED



Dimensions are in mm.



GRAPH 1: STATIC AXIAL (VERTICAL) LOAD VS. DEFLECTION



**Poly Flex** © 2003  
Products

DRAWING NO: DD8-4CTF24  
DRAWN PB: 26/5/03