

**POLY FLEX DATA SHEET**

PRODUCT: MOUNT **P-SYSTEM**®

MODEL:

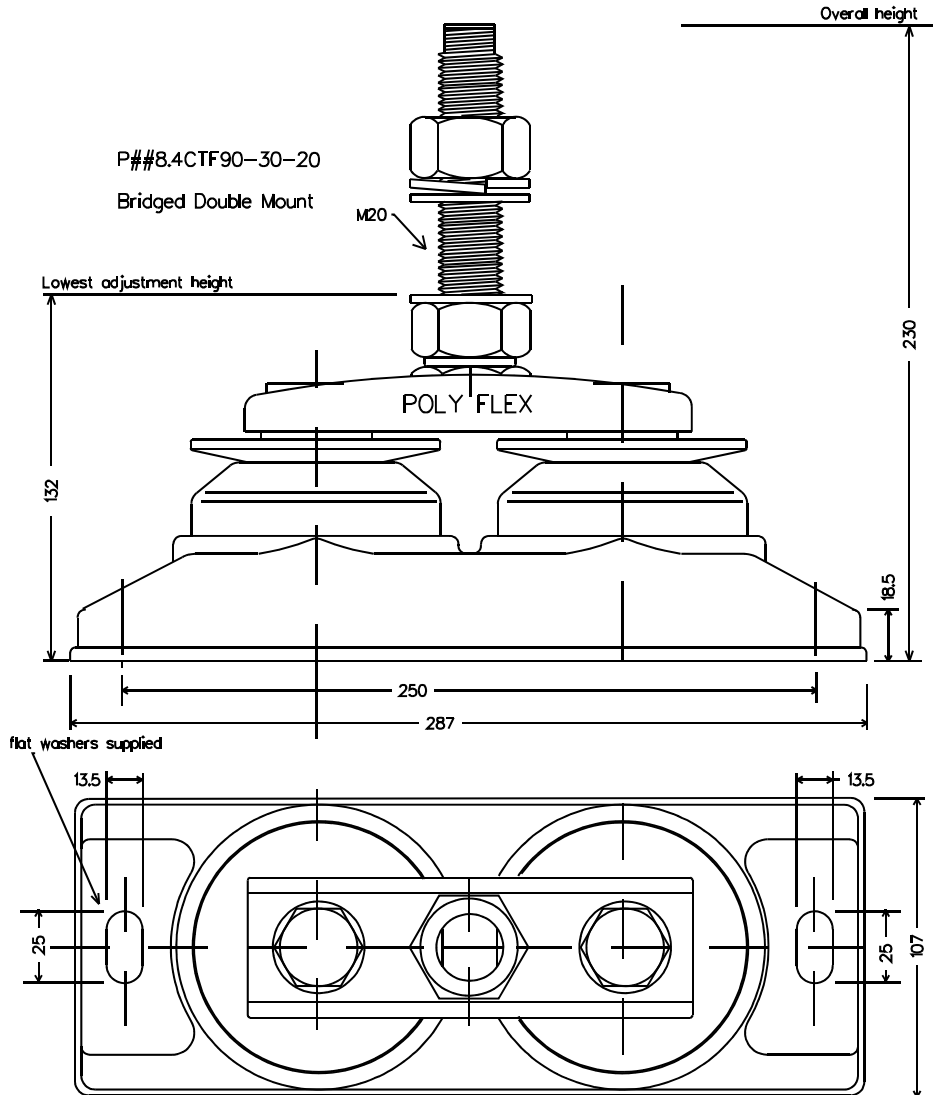
**P##8.4CTF90-30-20()**BRIDGE

P##8.4CTF90-30-20  
Bridged Double Mount

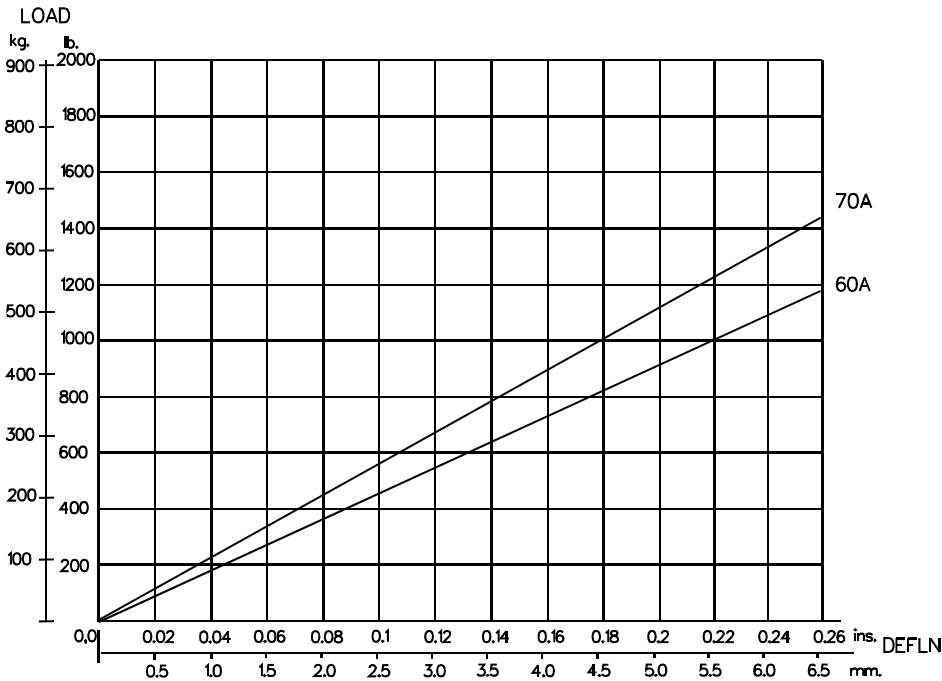
| IDENTIFICATION SYSTEM |           |             |             |               |
|-----------------------|-----------|-------------|-------------|---------------|
| P##8.4CTF90-30-20()   |           |             |             |               |
| BASE TYPE             | CORE DIA. | CORE HEIGHT | THREAD SIZE | CORE HARDNESS |

| CORE COLOUR | SHORE HARDNESS |
|-------------|----------------|
| BLUE        | 60             |
| YELLOW      | 70             |

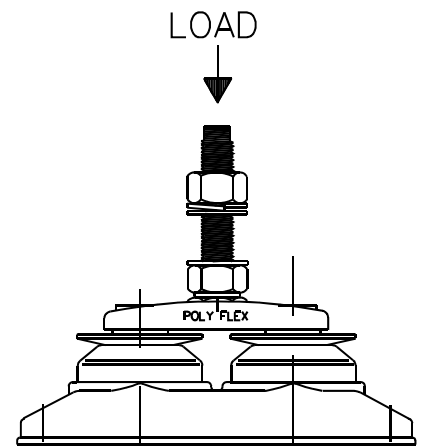
| MATERIAL SPECIFICATION                          |  |
|---|--|
| • ENGINEERING GRADE HEAT CURED POLYMER ALLOY    |  |
| • ALL METAL PARTS - GOLD PASSIVATED ZINC PLATED |  |



Dimensions are in mm.



GRAPH 1: STATIC AXIAL (VERTICAL) LOAD VS. DEFLECTION



**Poly Flex** © 2002  
Products

DRAWING NO: DD8-4CBR  
DRAWN PB: 14/10/02