

POLY FLEX DATA SHEET

PRODUCT: MOUNT [P-SYSTEM]®

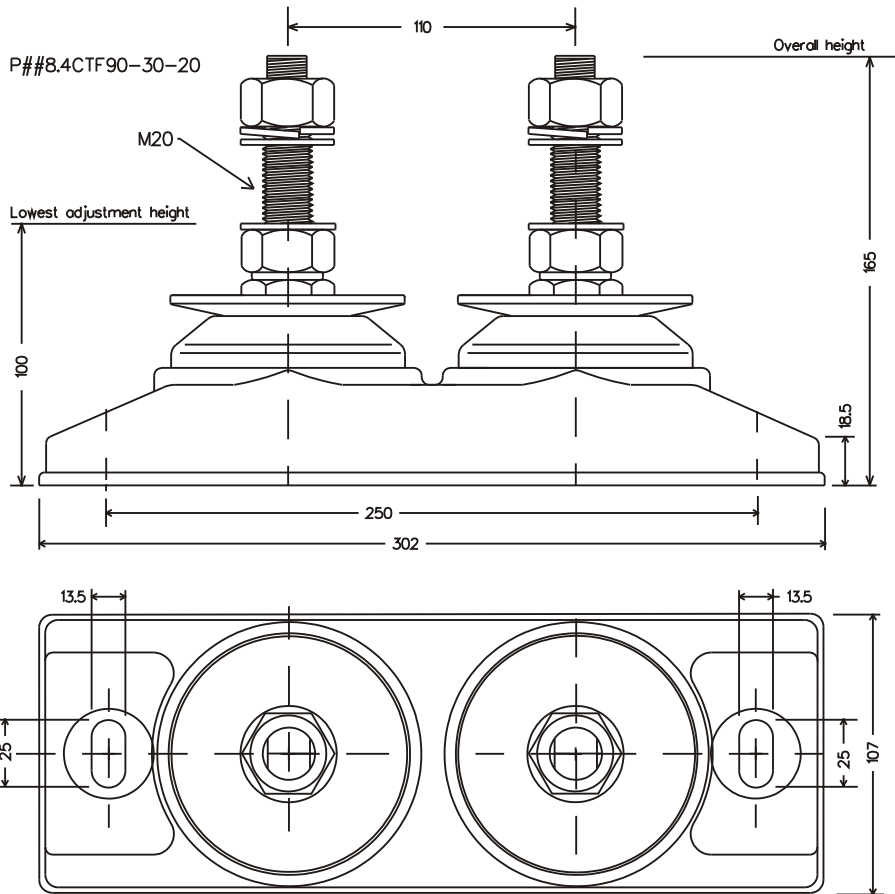
MODEL:

P##8.4CTF90-30-20

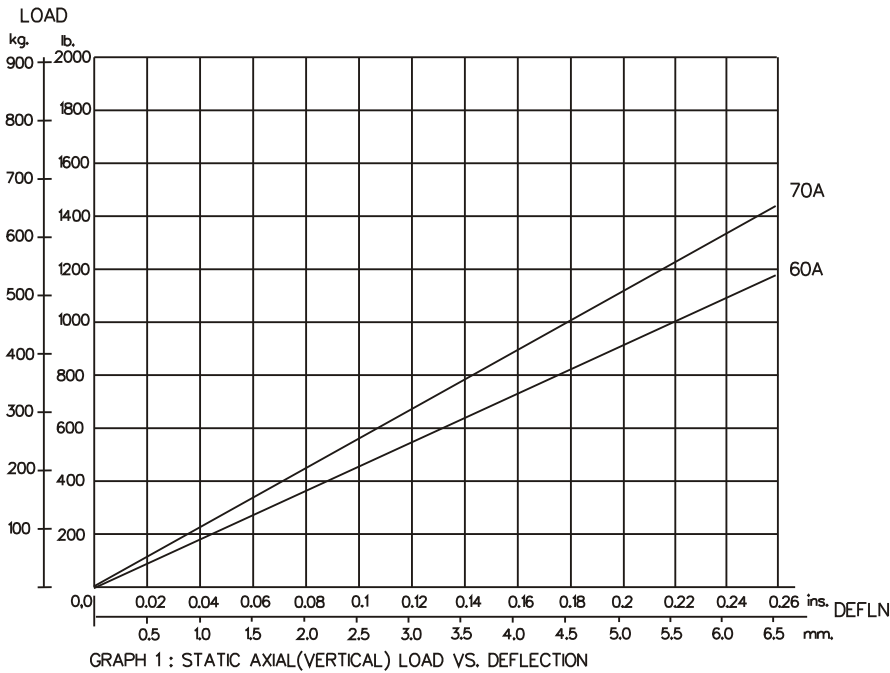
| IDENTIFICATION SYSTEM | | | | |
|-----------------------|-----------|-------------|-------------|---------------|
| P##8.4CTF90-30-20 | | | | |
| BASE TYPE | CORE DIA. | CORE HEIGHT | THREAD SIZE | CORE HARDNESS |

| CORE COLOUR | SHORE HARDNESS |
|-------------|----------------|
| ORANGE | 50 |
| BLUE | 60 |
| YELLOW | 70 |
| GREEN | 80 |
| RED | 90 |

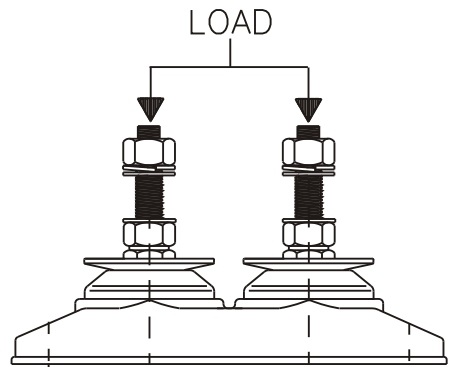
- MATERIAL SPECIFICATION
- ENGINEERING GRADE HEAT CURED POLYMER ALLOY
 - ALL METAL PARTS - GOLD PASSIVATED ZINC PLATED



Dimensions are in mm.



GRAPH 1: STATIC AXIAL (VERTICAL) LOAD VS. DEFLECTION



Poly Flex © 2003
Products

DRAWING NO: DD8-4CTF20
DRAWN PB: 26/5/03