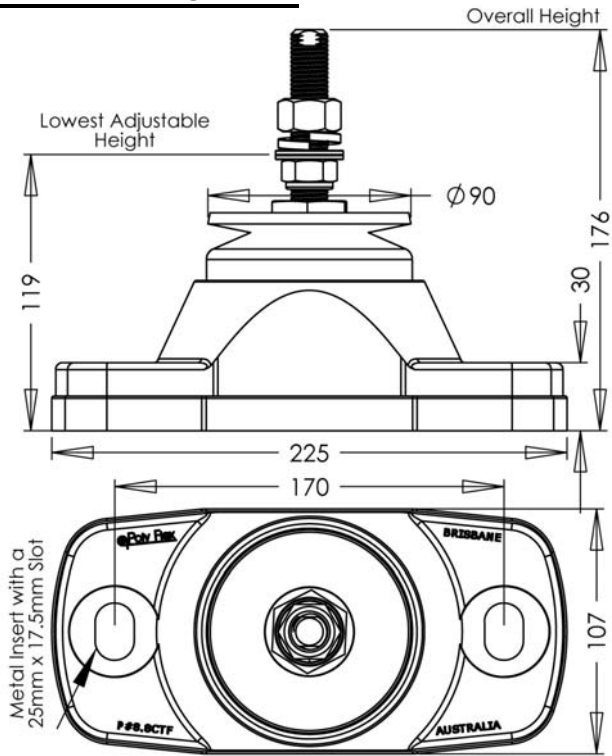


POLY FLEX DATA SHEET

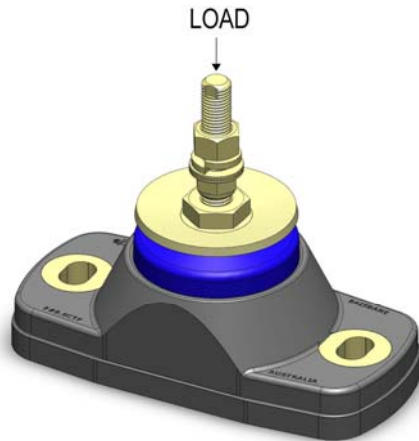
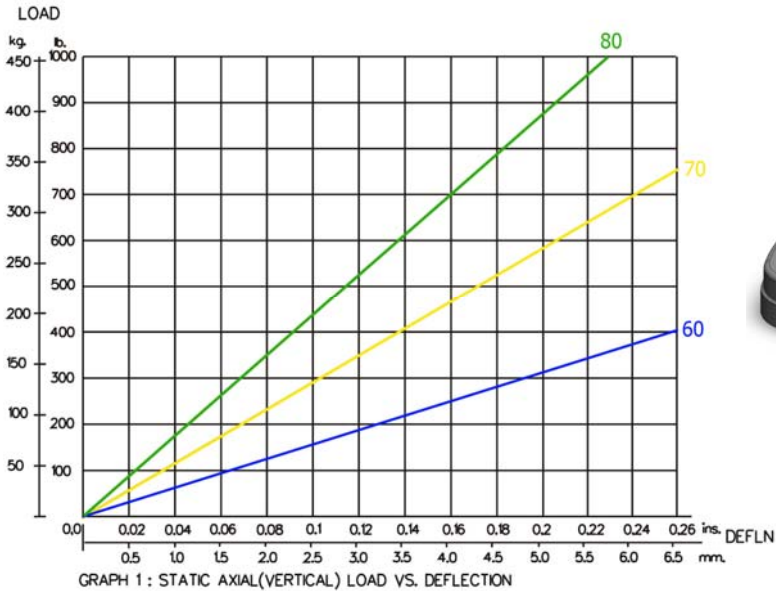
PRODUCT: MOUNT P-SYSTEM[®]
SERIES: 5CTF SERIES[®]
MODEL: P#8.8CTF 90-30-16 ()

MATERIAL SPECIFICATION	
<ul style="list-style-type: none"> ENGINEERING GRADE HEAT CURED POLYMER ALLOY ALL METAL PARTS - SA5 COBALT ZINC PLATED 	

CORE COLOUR	SHORE HARDNESS
BLUE	60
YELLOW	70
GREEN	80



THE FOLLOWING DATA IS SUPPLIED AS A GUIDE ONLY.
 PRODUCT SPECIFICATIONS AND DATA SHEETS ARE SUBJECT TO CHANGE WITHOUT NOTICE.



Poly Flex © 2009
 PRODUCTS
 DRAWING No. P#8.8CTF-16
 DRAWN OK. 21.07.09