

POLY FLEX DATA SHEET

PRODUCT: MOUNT **P-SYSTEM**[®]

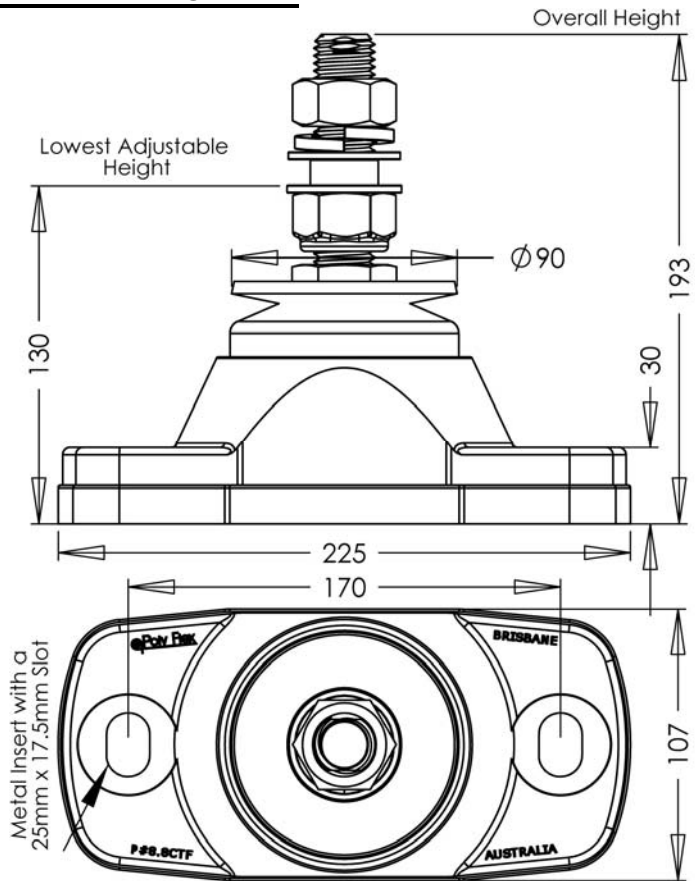
SERIES: **5CTF SERIES**

MODEL: P#8.8CTF 90-12-24 () Yw

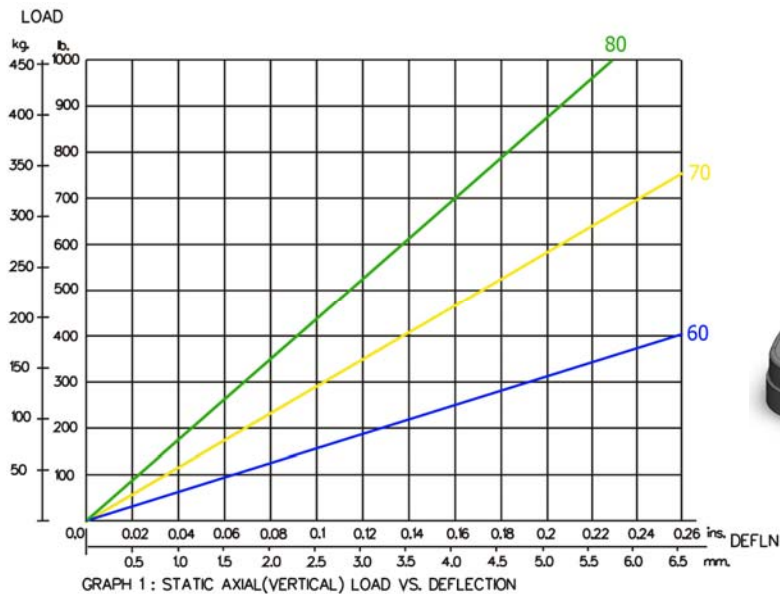
MATERIAL SPECIFICATION

- ENGINEERING GRADE HEAT CURED POLYMER ALLOY
- ALL METAL PARTS - SA5 COBALT ZINC PLATED

CORE COLOUR	SHORE HARDNESS
BLUE	60
YELLOW	70
GREEN	80



THE FOLLOWING DATA IS SUPPLIED AS A GUIDE ONLY.
PRODUCT SPECIFICATIONS AND DATA SHEETS ARE SUBJECT TO CHANGE WITHOUT NOTICE.



Poly Flex © 2009
PRODUCTS
DRAWING No. P#8.8F-24Yw
DRAWN OK. 28.07.09