

**POLY FLEX DATA SHEET**

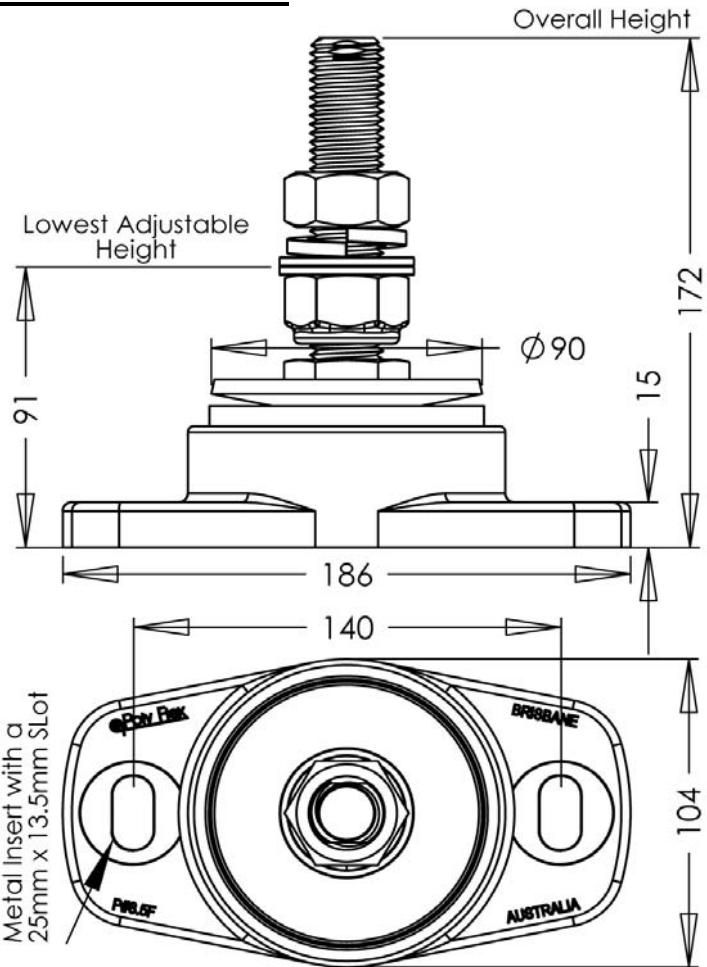
PRODUCT: MOUNT P-SYSTEM®

SERIES: .5F SERIES

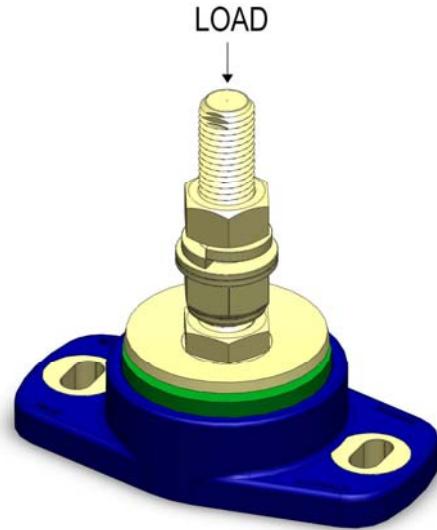
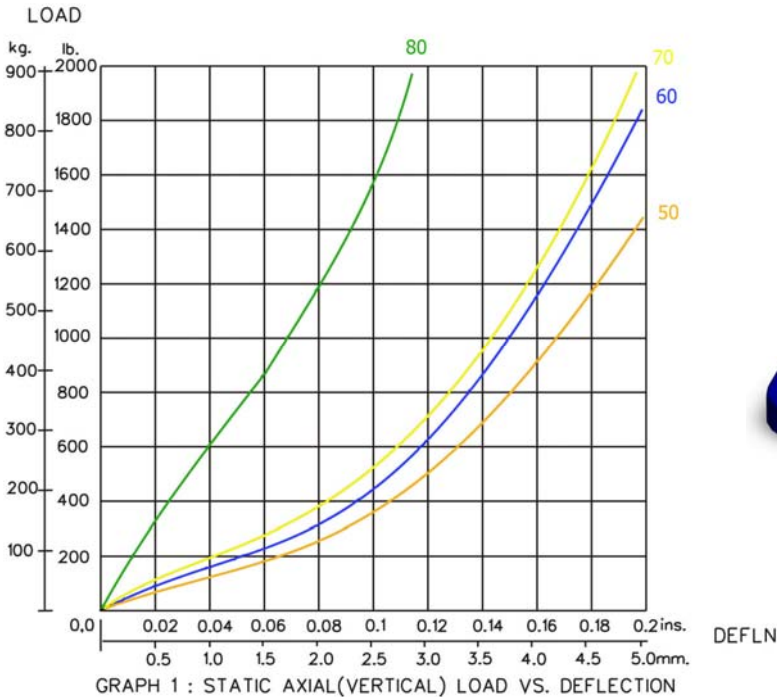
MODEL: P#8.5 F90-12-24 ( )

MATERIAL SPECIFICATION	
• ENGINEERING GRADE HEAT CURED POLYMER ALLOY	
• ALL METAL PARTS - SA5 COBALT ZINC PLATED	

CORE COLOUR	SHORE HARDNESS
ORANGE	50
BLUE	60
YELLOW	70
GREEN	80



THE FOLLOWING DATA IS SUPPLIED AS A GUIDE ONLY. PRODUCT SPECIFICATIONS AND DATA SHEETS ARE SUBJECT TO CHANGE WITHOUT NOTICE.



**Poly Flex** © 2009  
PRODUCTS  
DRAWING No. P#8.5F-24  
DRAWN OK. 25.06.09