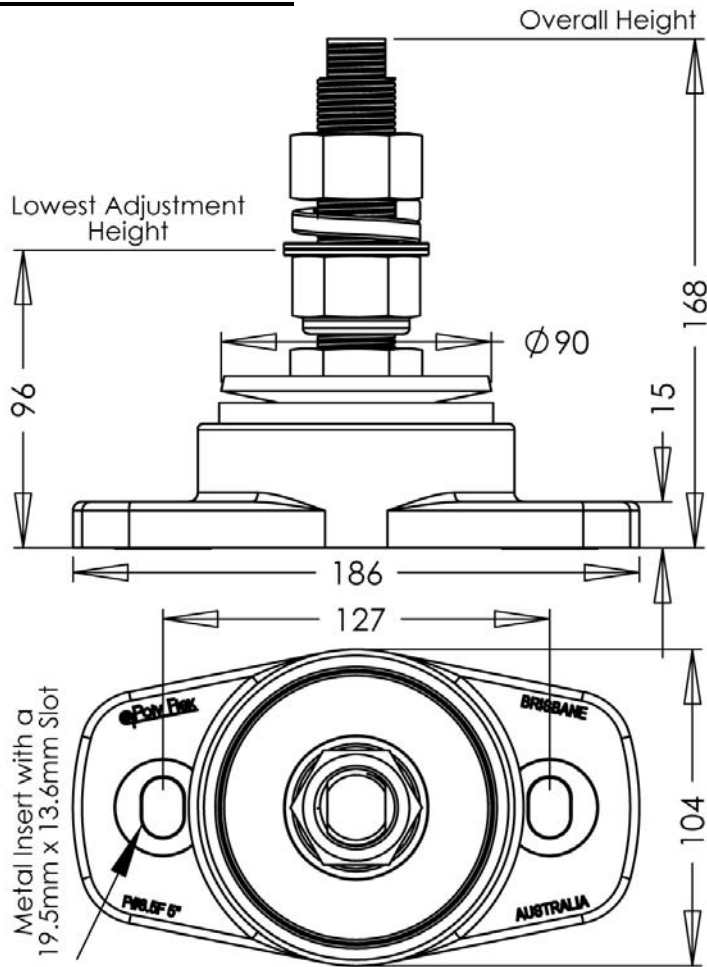


**POLY FLEX DATA SHEET**

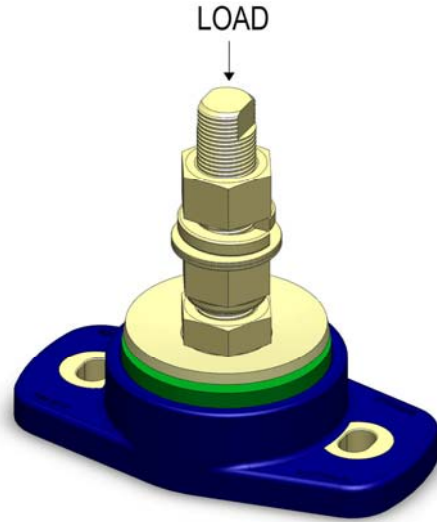
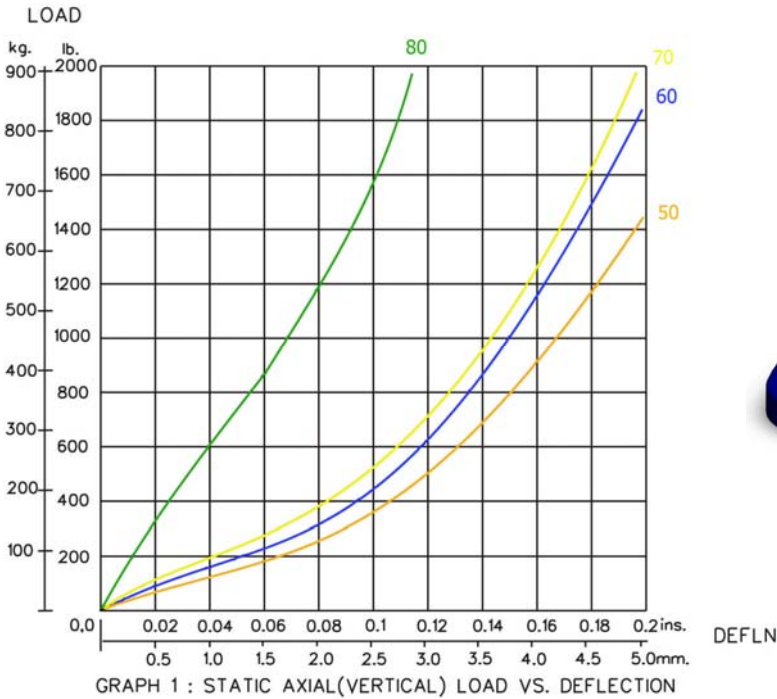
**PRODUCT:** MOUNT **P-SYSTEM**<sup>®</sup>  
**SERIES:** **.5F SERIES**<sup>®</sup>  
**MODEL:** P#8.5 (5") F90-12-1" ( )

MATERIAL SPECIFICATION	
<ul style="list-style-type: none"> <li>ENGINEERING GRADE HEAT CURED POLYMER ALLOY</li> <li>ALL METAL PARTS - SA5 COBALT ZINC PLATED</li> </ul>	

CORE COLOUR	SHORE HARDNESS
ORANGE	50
BLUE	60
YELLOW	70
GREEN	80



THE FOLLOWING DATA IS SUPPLIED AS A GUIDE ONLY. PRODUCT SPECIFICATIONS AND DATA SHEETS ARE SUBJECT TO CHANGE WITHOUT NOTICE.



**Poly Flex** © 2009  
 PRODUCTS  
 DRAWING No. P#8.5F-1  
 DRAWN OK. 26.06.09