

POLY FLEX DATA SHEET

PRODUCT: MOUNT P-SYSTEM®

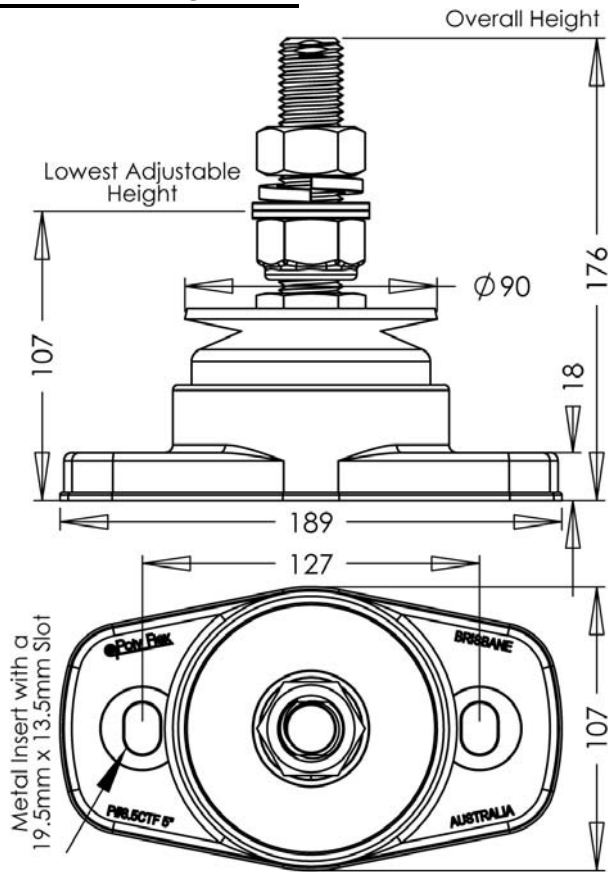
SERIES: 5CTF SERIES®

MODEL: P#8.5CTF (5") 90-30-24 ()

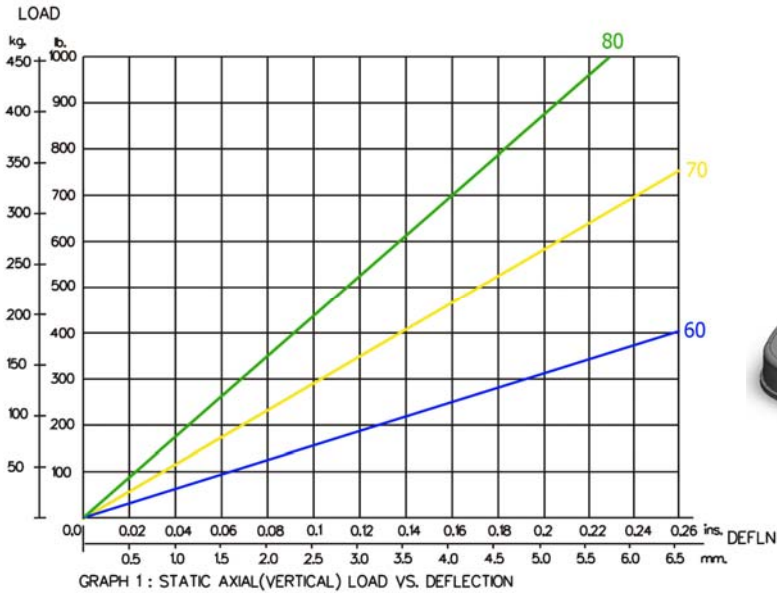
MATERIAL SPECIFICATION

- ENGINEERING GRADE HEAT CURED POLYMER ALLOY
- ALL METAL PARTS - SA5 COBALT ZINC PLATED

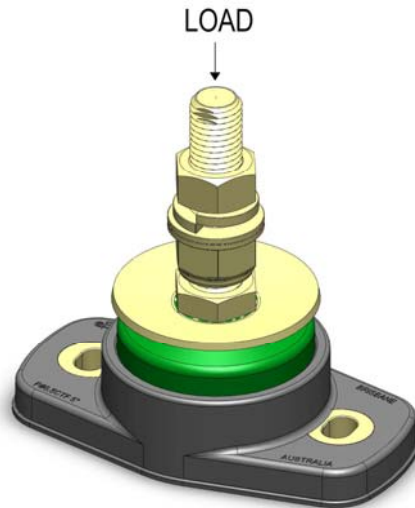
CORE COLOUR	SHORE HARDNESS
BLUE	60
YELLOW	70
GREEN	80



THE FOLLOWING DATA IS SUPPLIED AS A GUIDE ONLY.
PRODUCT SPECIFICATIONS AND DATA SHEETS ARE SUBJECT TO CHANGE WITHOUT NOTICE.



GRAPH 1 : STATIC AXIAL(VERTICAL) LOAD VS. DEFLECTION



Poly Flex © 2009
PRODUCTS

DRAWING No. P#8.55CTF-24
DRAWN OK. 21.07.09