

POLY FLEX DATA SHEET

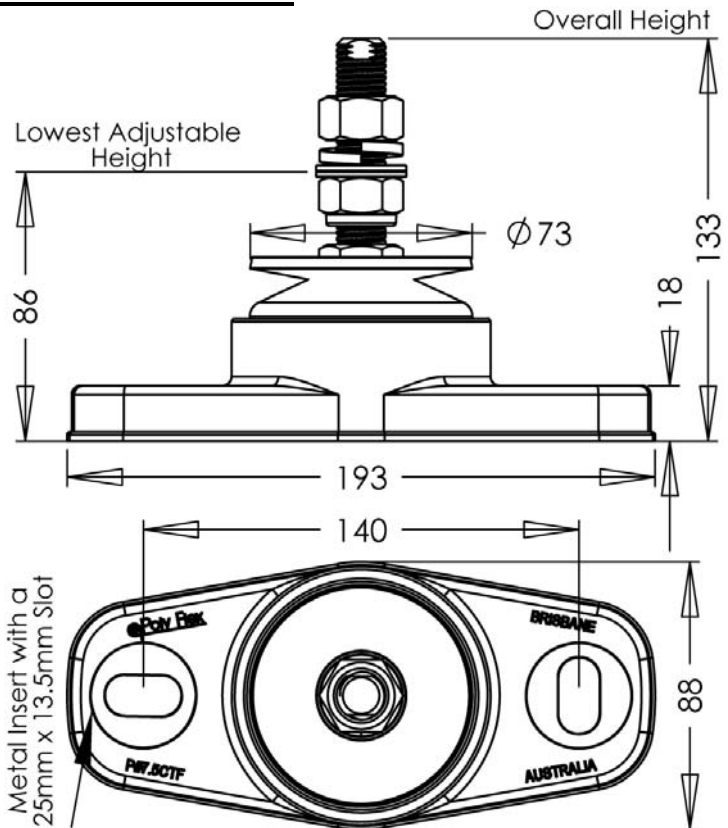
PRODUCT: MOUNT **P-SYSTEM**®

SERIES: **5CTF SERIES**®

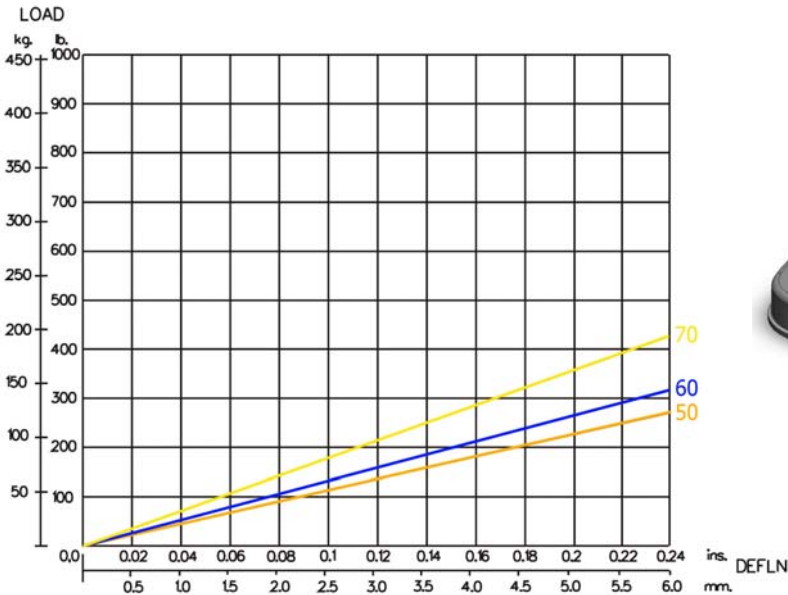
MODEL: P#7.5CTF73-20-16 ()

MATERIAL SPECIFICATION	
• ENGINEERING GRADE HEAT CURED POLYMER ALLOY	
• ALL METAL PARTS - SA5 COBALT ZINC PLATED	

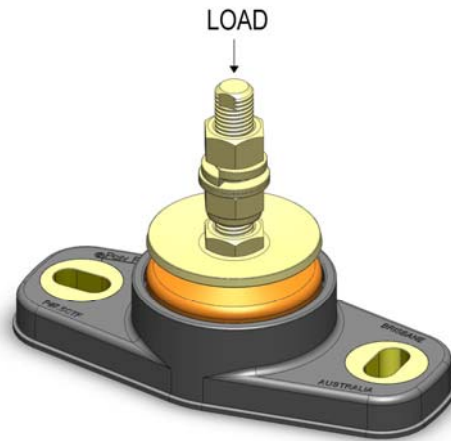
CORE COLOUR	SHORE HARDNESS
ORANGE	50
BLUE	60
YELLOW	70



THE FOLLOWING DATA IS SUPPLIED AS A GUIDE ONLY.
PRODUCT SPECIFICATIONS AND DATA SHEETS ARE SUBJECT TO CHANGE WITHOUT NOTICE.



GRAPH 1: STATIC AXIAL (VERTICAL) LOAD VS. DEFLECTION



Poly Flex © 2009
PRODUCTS

DRAWING No. P#7.5CTF-16
DRAWN OK. 21.07.09