

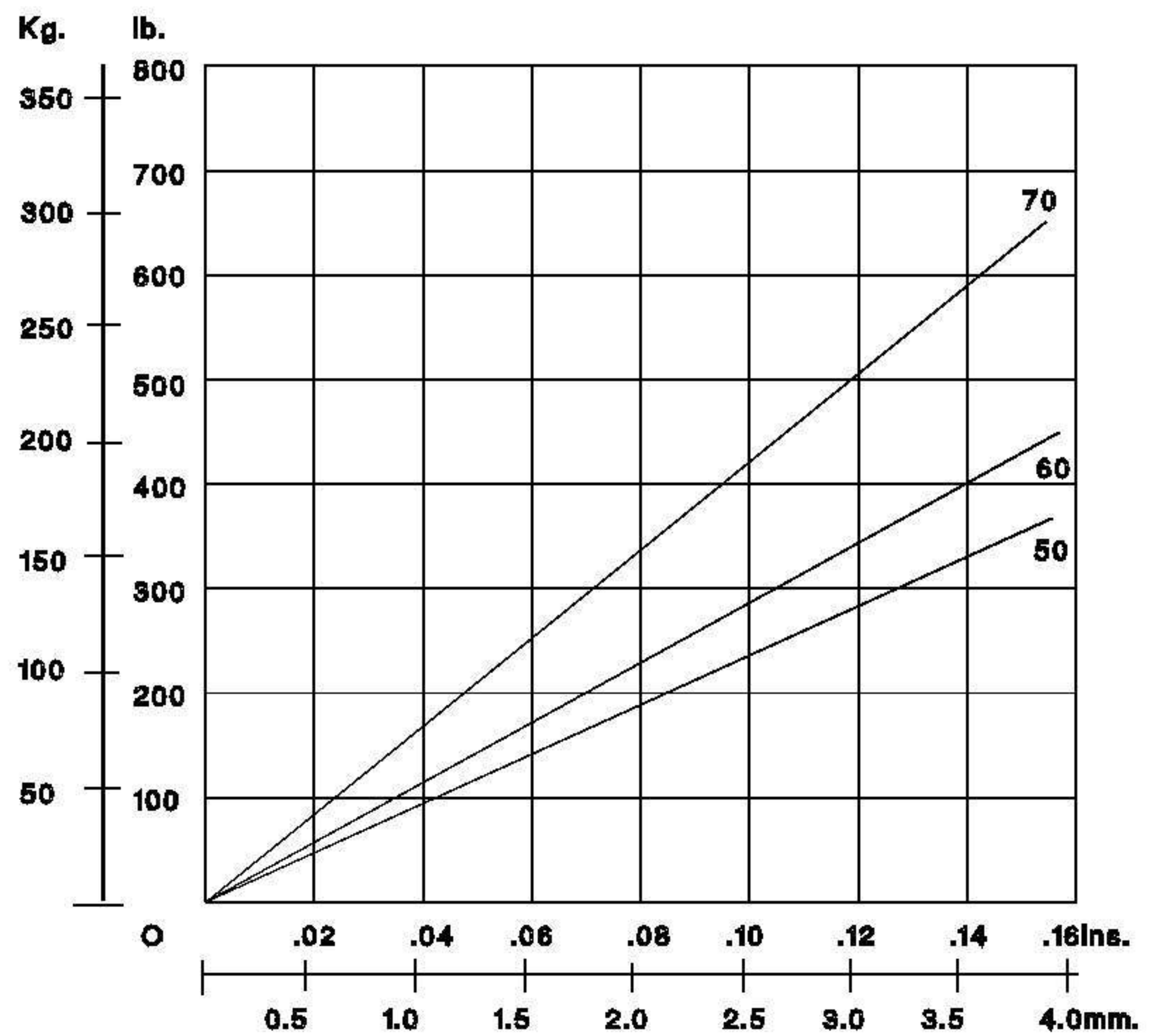
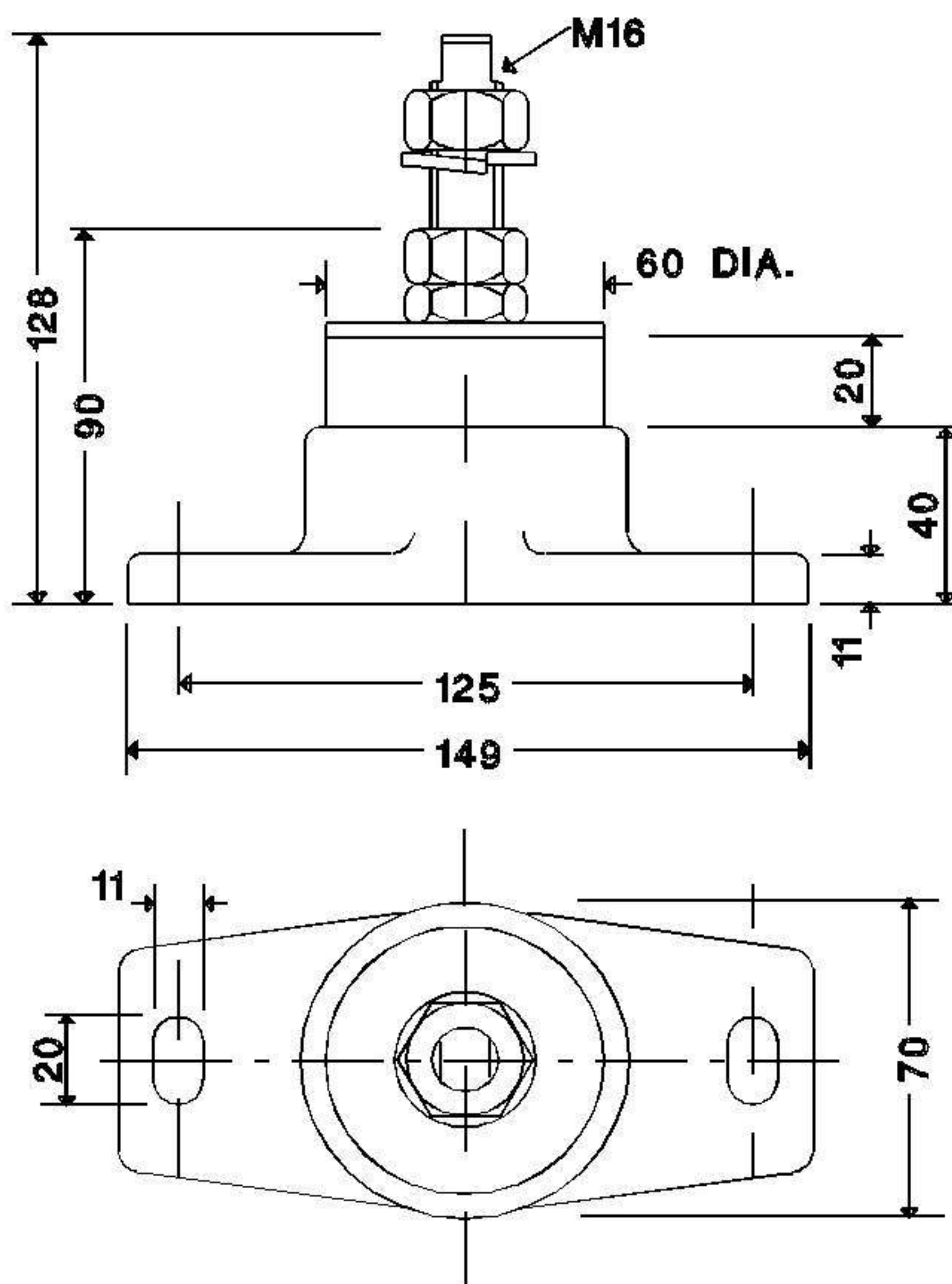
DATA SHEET

| MATERIAL SPECIFICATION |
|---|
| * ENGINEERING GRADE HEAT CURED POLYMER ALLOY |
| * ALL METAL PARTS - GOLD PASSIVATED ZINC PLATED |

PRODUCT: MOUNT P-SYSTEM[®]
MODEL: P#6F60-20-16

| IDENTIFICATION SYSTEM | | | | |
|-----------------------|-----------|-------------|-------------|---------------|
| P#F□□-□□-□□ (□□) | | | | |
| BASE TYPE | CORE DIA. | CORE HEIGHT | THREAD SIZE | CORE HARDNESS |

| CORE COLOUR | SHORE HARDNESS |
|-------------|----------------|
| ORANGE | 50 |
| BLUE | 60 |
| YELLOW | 70 |



GRAPH : STATIC LOAD VS. DEFLECTION