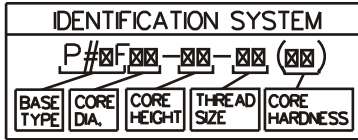


POLY FLEX DATA SHEET

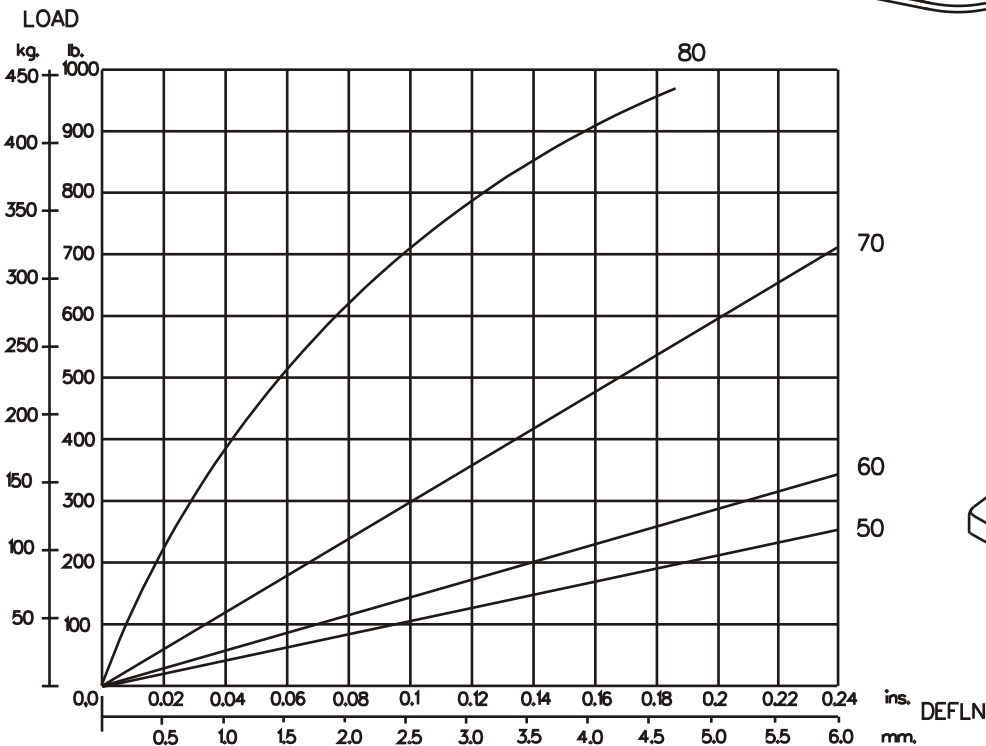
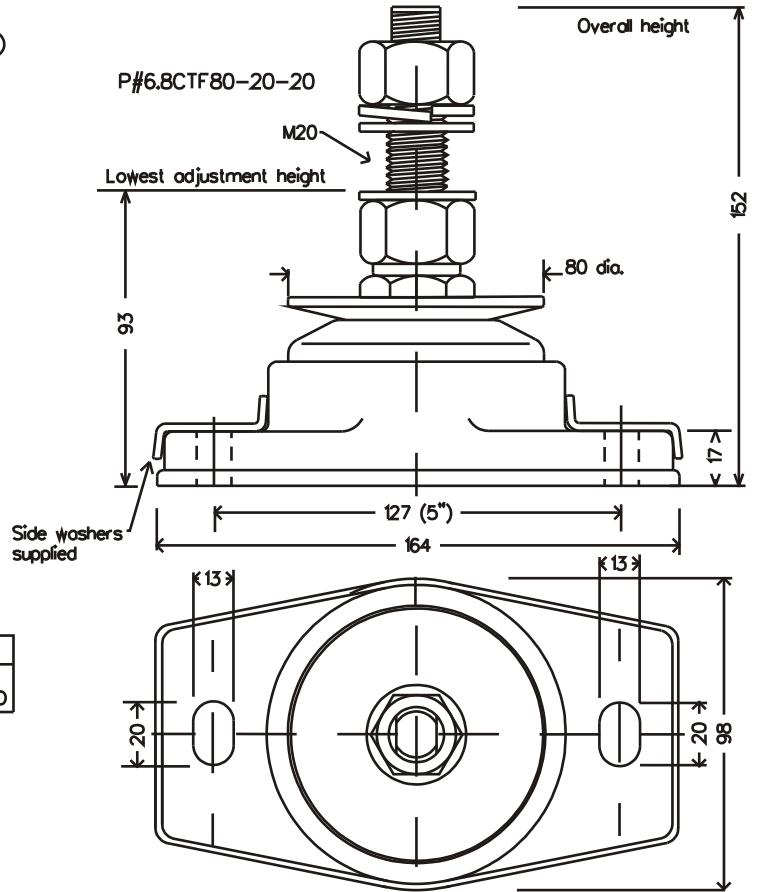
PRODUCT: MOUNT **P-SYSTEM**[®]
MODEL: **P#6.8CTF80-20-20**



| CORE COLOUR | SHORE HARDNESS |
|-------------|----------------|
| ORANGE | 50 |
| BLUE | 60 |
| YELLOW | 70 |
| LIGHT GREEN | 80 |

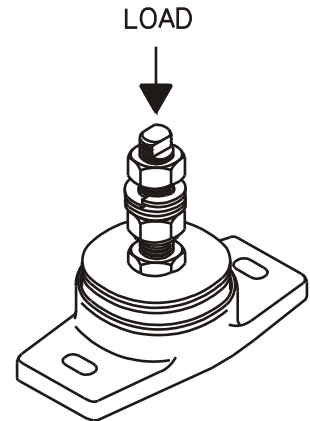
MATERIAL SPECIFICATION

- ENGINEERING GRADE HEAT CURED POLYMER ALLOY
- ALL METAL PARTS - GOLD PASSIVATED ZINC PLATED



GRAPH 1 : STATIC AXIAL(VERTICAL) LOAD VS. DEFLECTION

Dimensions are in mm.



THE ABOVE DATA IS SUPPLIED AS A GUIDE ONLY
PRODUCT SPECIFICATIONS AND DATA SHEETS ARE SUBJECT TO CHANGE WITHOUT NOTICE.

Poly Flex © 2001
Products

DRAWING NO: D6-BCT20
DRAWN PB. 4/12/01