

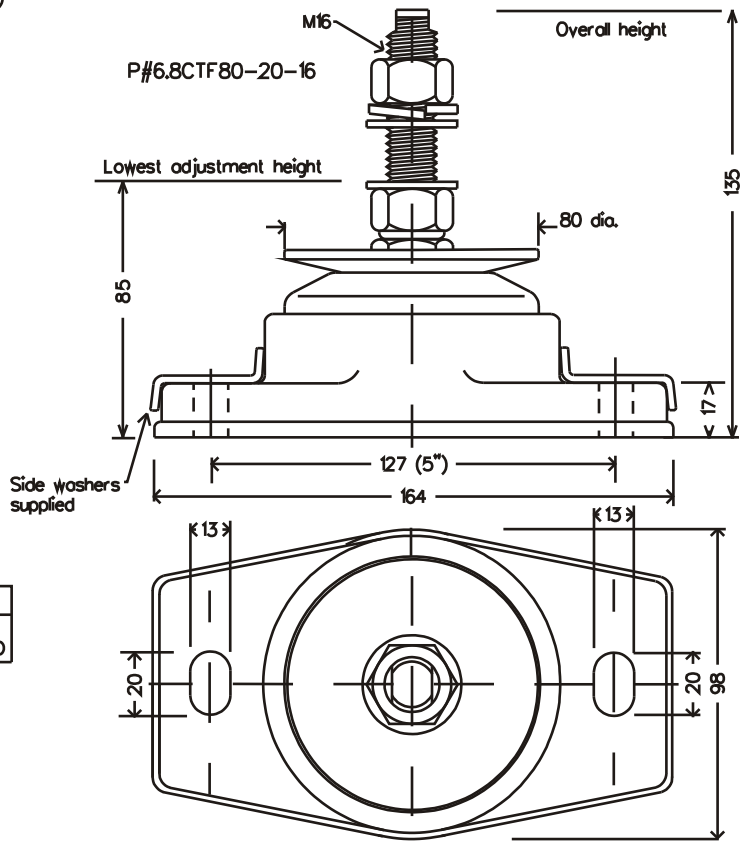
POLY FLEX DATA SHEET

PRODUCT: MOUNT **P-SYSTEM**[®]
MODEL: **P#6.8CTF80-20-16**

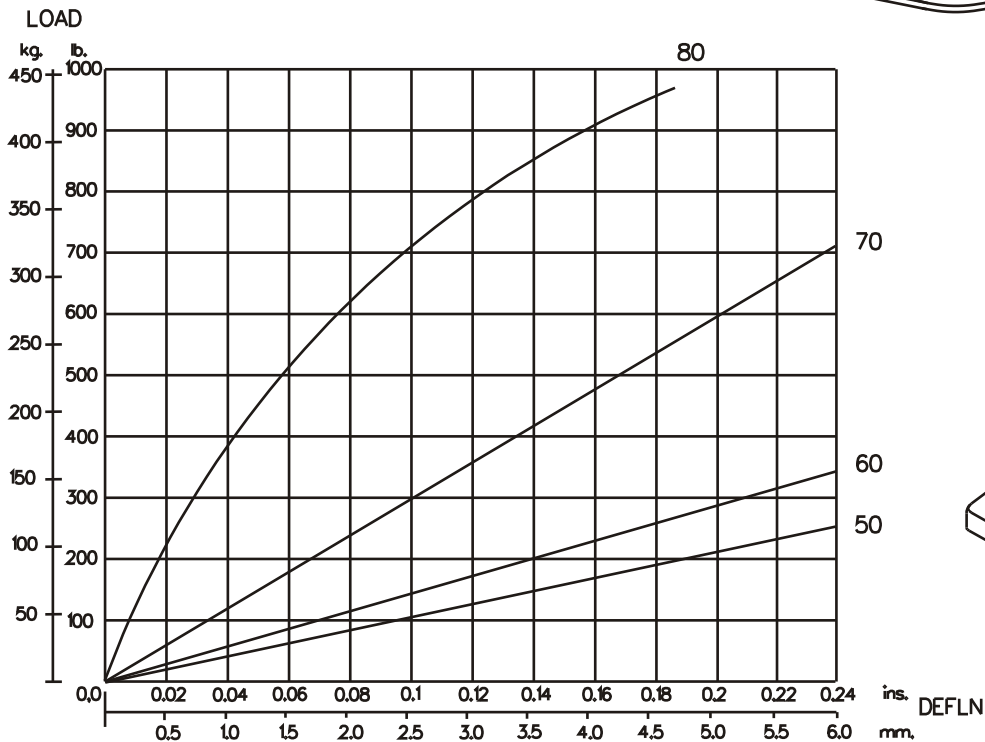
IDENTIFICATION SYSTEM				
P# F <input type="checkbox"/> <input type="checkbox"/> - <input type="checkbox"/> <input type="checkbox"/> - <input type="checkbox"/> <input type="checkbox"/> (<input type="checkbox"/> <input type="checkbox"/>)				
BASE TYPE	CORE DIA.	CORE HEIGHT	THREAD SIZE	CORE HARDNESS

CORE COLOUR	SHORE HARDNESS
ORANGE	50
BLUE	60
YELLOW	70
LIGHT GREEN	80

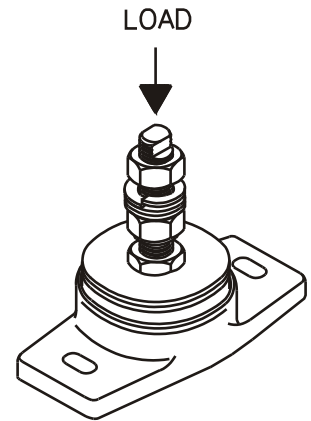
MATERIAL SPECIFICATION
• ENGINEERING GRADE HEAT CURED POLYMER ALLOY
• ALL METAL PARTS - GOLD PASSIVATED ZINC PLATED



Dimensions are in mm.



GRAPH 1: STATIC AXIAL (VERTICAL) LOAD VS. DEFLECTION



THE ABOVE DATA IS SUPPLIED AS A GUIDE ONLY
PRODUCT SPECIFICATIONS AND DATA SHEETS ARE SUBJECT TO CHANGE WITHOUT NOTICE.

Poly Flex © 2003
Products

DRAWING NO: D6-8CTF16
DRAWN PB, 9/7/03

Revision 1: Lowest adjustment height = 85mm