

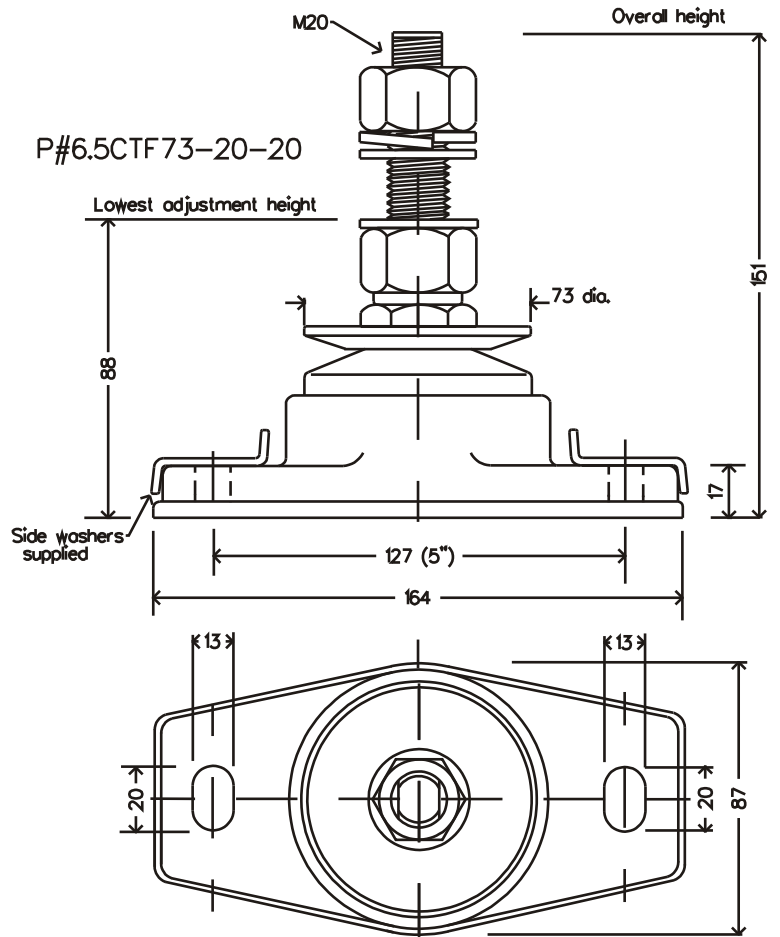
POLY FLEX DATA SHEET

PRODUCT: MOUNT **P-SYSTEM**<sup>®</sup>  
MODEL: **P#6.5CTF73-20-20**

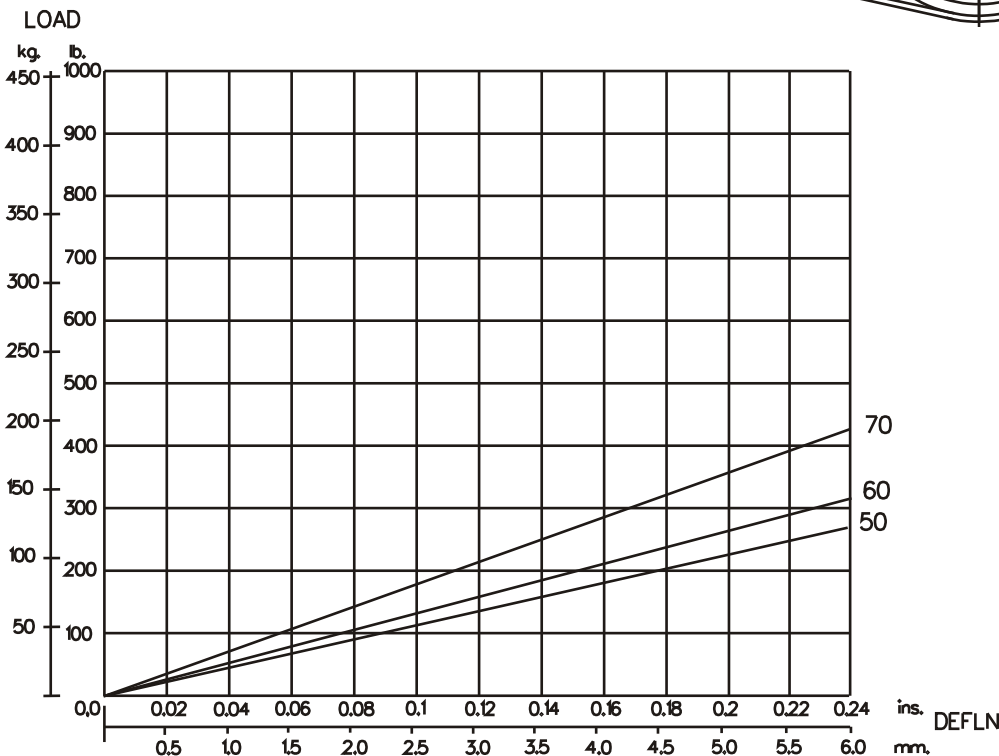
IDENTIFICATION SYSTEM				
P# <b>6.5</b> CT <b>73</b> - <b>20</b> - <b>20</b> ( <b>70</b> )				
BASE TYPE	CORE DIA.	CORE HEIGHT	THREAD SIZE	CORE HARDNESS

CORE COLOUR	SHORE HARDNESS
ORANGE	50
BLUE	60
YELLOW	70

MATERIAL SPECIFICATION
• ENGINEERING GRADE HEAT CURED POLYMER ALLOY
• ALL METAL PARTS - GOLD PASSIVATED ZINC PLATED

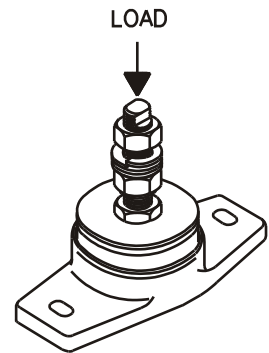


Dimensions are in mm.



GRAPH 1: STATIC AXIAL (VERTICAL) LOAD VS. DEFLECTION

THE ABOVE DATA IS SUPPLIED AS A GUIDE ONLY. PRODUCT SPECIFICATIONS AND DATA SHEETS ARE SUBJECT TO CHANGE WITHOUT NOTICE.



**Poly Flex** ©2001  
Products

DRAWING NO: D6-5CT20  
DRAWN PB.4/12/01