

POLY FLEX DATA SHEET

PRODUCT: MOUNT **P-SYSTEM**®

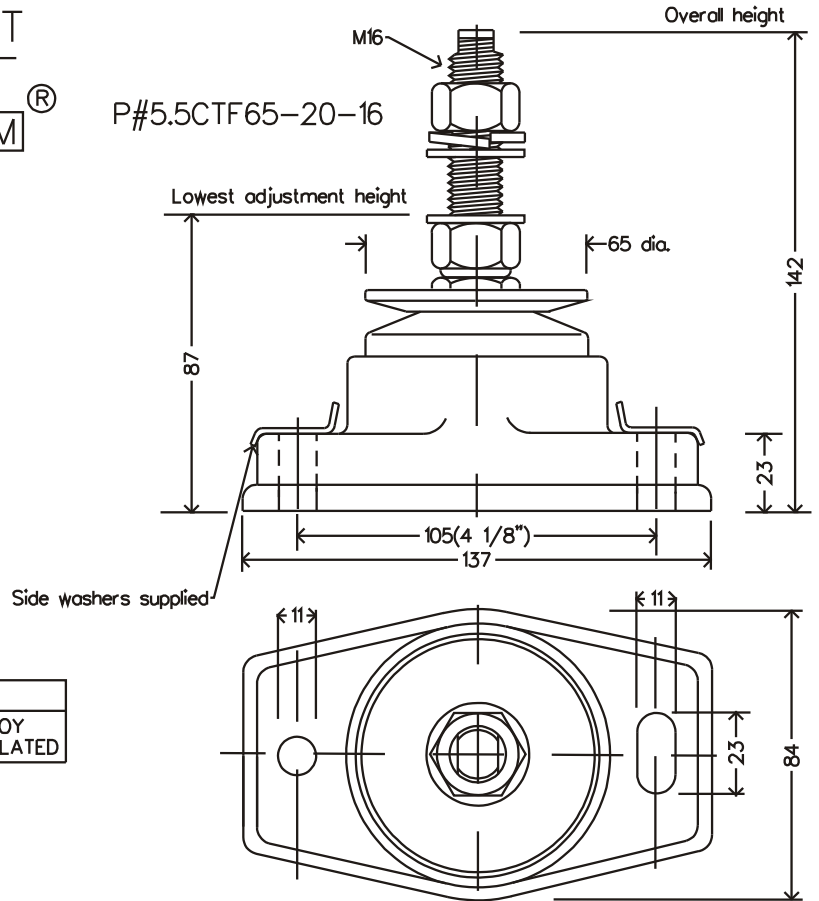
MODEL: **P#5.5CTF65-20-16**

IDENTIFICATION SYSTEM				
P# <input type="text"/> F <input type="text"/> <input type="text"/> - <input type="text"/> <input type="text"/> - <input type="text"/> <input type="text"/> ( <input type="text"/> <input type="text"/> )				
BASE TYPE	CORE DIA.	CORE HEIGHT	THREAD SIZE	CORE HARDNESS

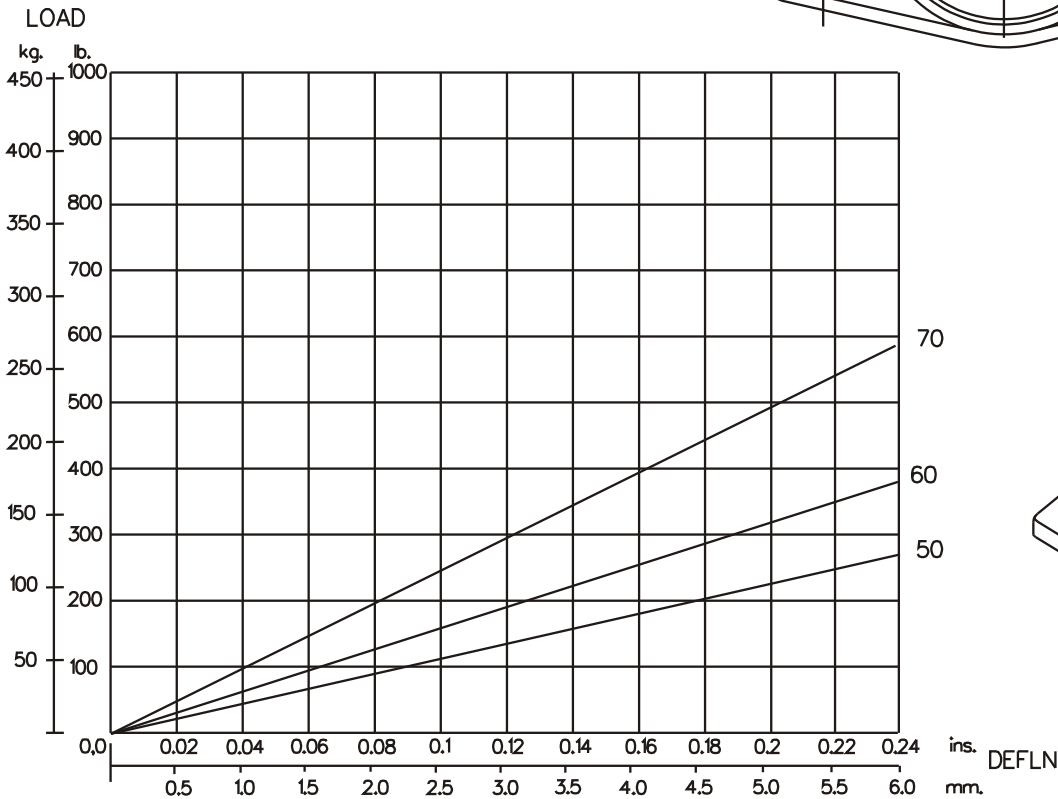
CORE COLOUR	SHORE HARDNESS
ORANGE	50
BLUE	60
YELLOW	70

MATERIAL SPECIFICATION
* ENGINEERING GRADE HEAT CURED POLYMER ALLOY
* ALL METAL PARTS - GOLD PASSIVATED ZINC PLATED

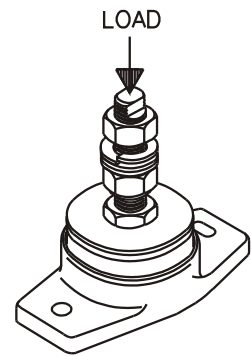
P#5.5CTF65-20-16



Dimensions are in mm.



GRAPH 1: STATIC AXIAL (VERTICAL) LOAD VS. DEFLECTION



**Poly Flex** © 2001  
Products

DRAWING NO: D5-5CT16  
DRAWN PB. 3/12/01