

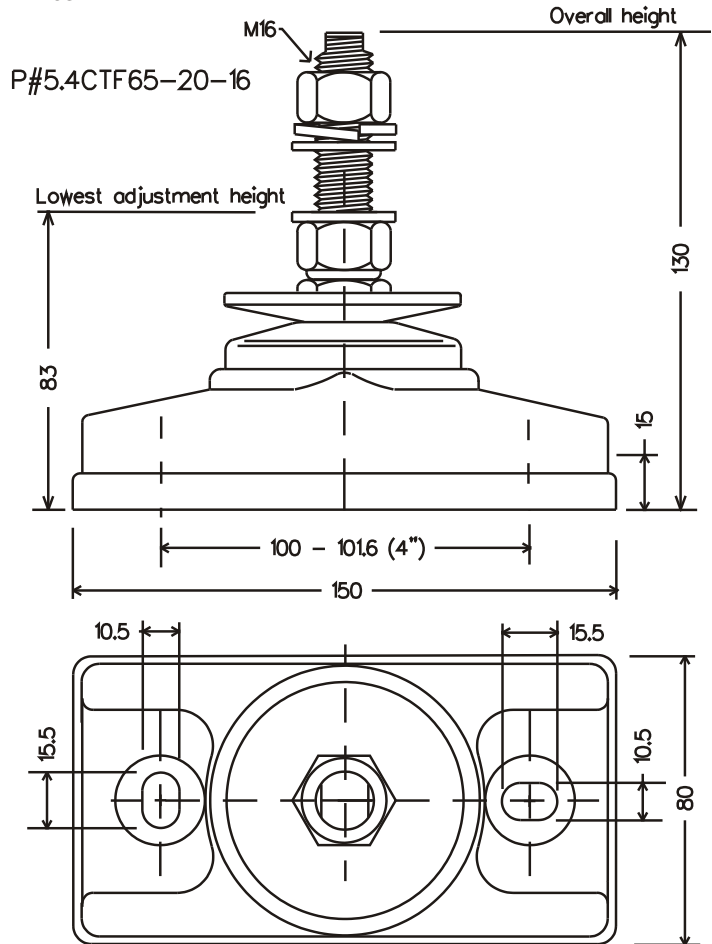
POLY FLEX DATA SHEET

PRODUCT: MOUNT **P-SYSTEM**<sup>®</sup>  
MODEL: **P#5.4CTF65-20-16**

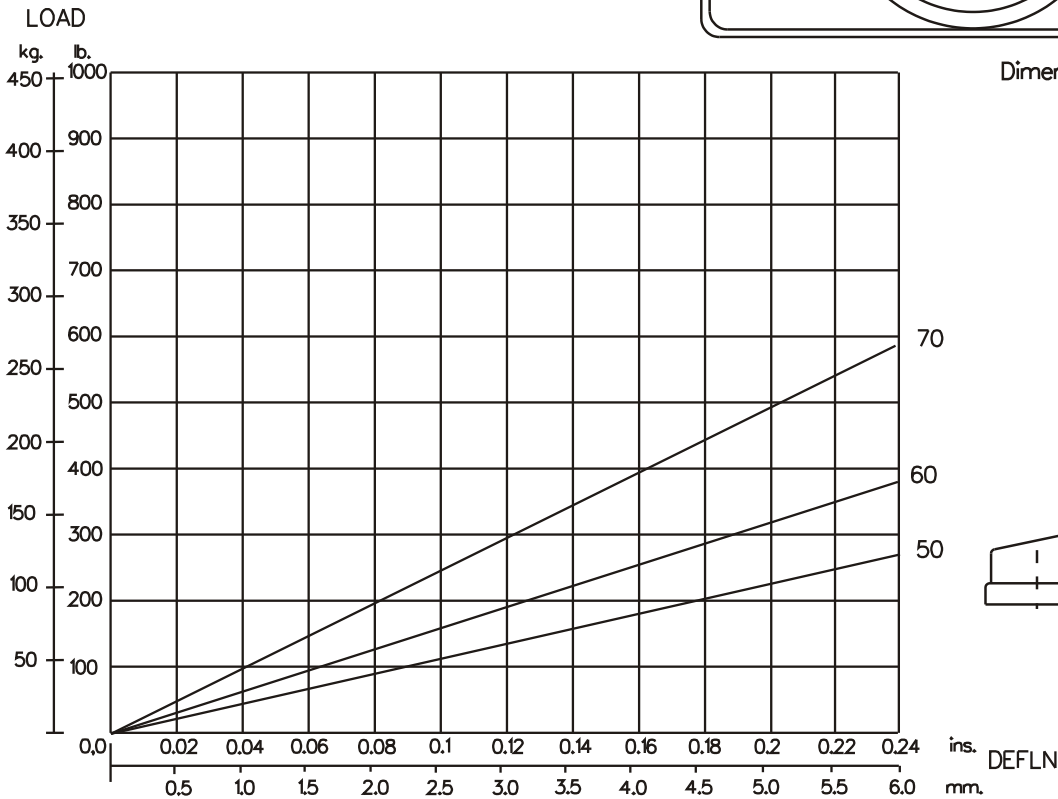
IDENTIFICATION SYSTEM				
P# <u>  </u> F <u>  </u> <u>  </u> - <u>  </u> <u>  </u> - <u>  </u> <u>  </u> ( <u>  </u> )				
BASE TYPE	CORE DIA.	CORE HEIGHT	THREAD SIZE	CORE HARDNESS

CORE COLOUR	SHORE HARDNESS
ORANGE	50
BLUE	60
YELLOW	70

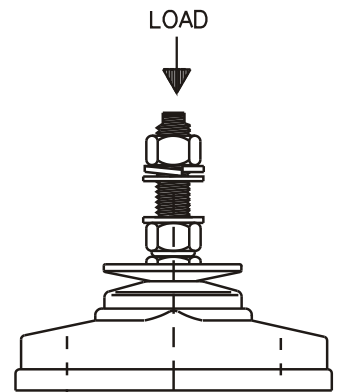
MATERIAL SPECIFICATION
* ENGINEERING GRADE HEAT CURED POLYMER ALLOY
* ALL METAL PARTS - GOLD PASSIVATED ZINC PLATED



Dimensions are in mm.



GRAPH 1: STATIC AXIAL (VERTICAL) LOAD VS. DEFLECTION



**Poly Flex** © 2003  
Products

DRAWING NO: D5-4CTF16  
DRAWN PB. 25/7/03