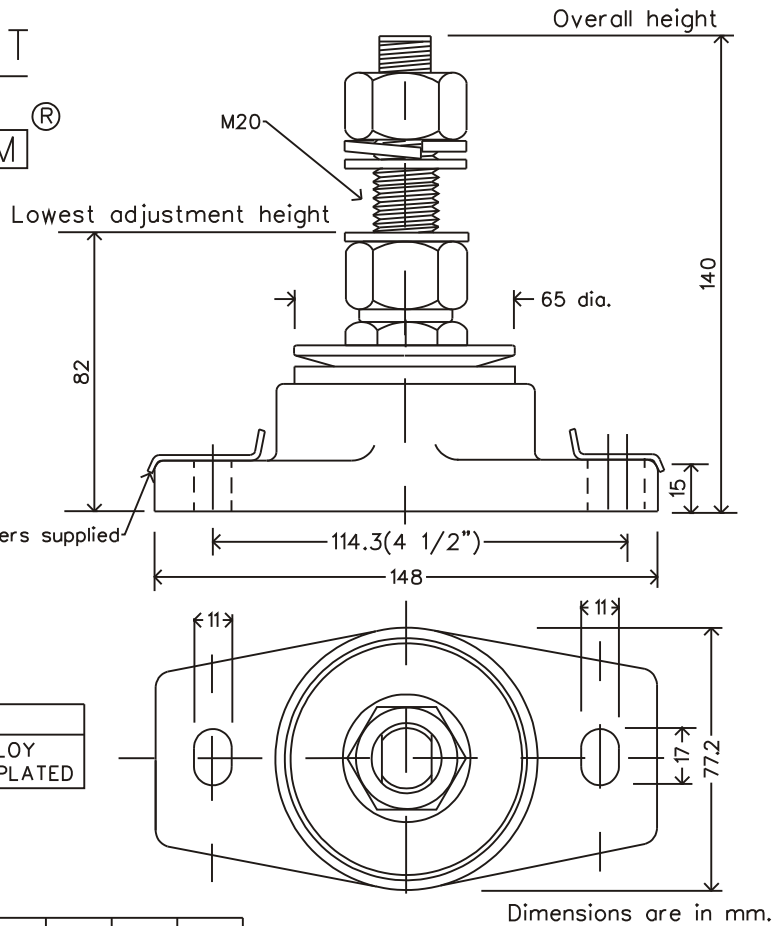


POLY FLEX DATA SHEET

PRODUCT: MOUNT **P-SYSTEM**®

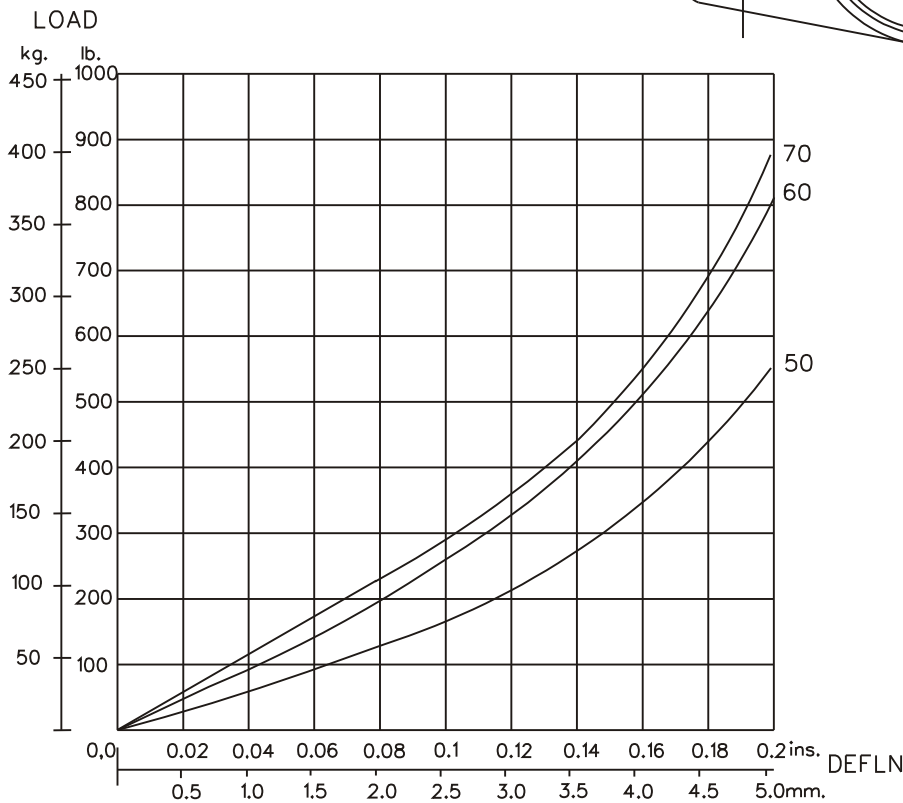
MODEL: **P#5.8F65-11-20**



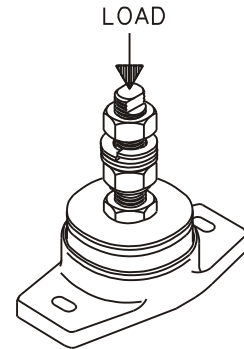
| IDENTIFICATION SYSTEM  |           |             |             |               |
|--|-----------|-------------|-------------|---------------|
| P# F $\square\square$ - $\square\square$ - $\square\square$ ( $\square\square$ ) |           |             |             |               |
| BASE TYPE  | CORE DIA. | CORE HEIGHT | THREAD SIZE | CORE HARDNESS |

| CORE COLOUR | SHORE HARDNESS |
|-------------|----------------|
| ORANGE      | 50             |
| BLUE        | 60             |
| YELLOW      | 70             |

| MATERIAL SPECIFICATION                          |  |
|---|--|
| * ENGINEERING GRADE HEAT CURED POLYMER ALLOY    |  |
| * ALL METAL PARTS - GOLD PASSIVATED ZINC PLATED |  |



GRAPH 1 : STATIC AXIAL(VERTICAL) LOAD VS. DEFLECTION



© 2000 **Poly Flex** Products

DRAWING NO: D5-8M20  
DRAWN PB. 12/4/00