

POLY FLEX DATA SHEET

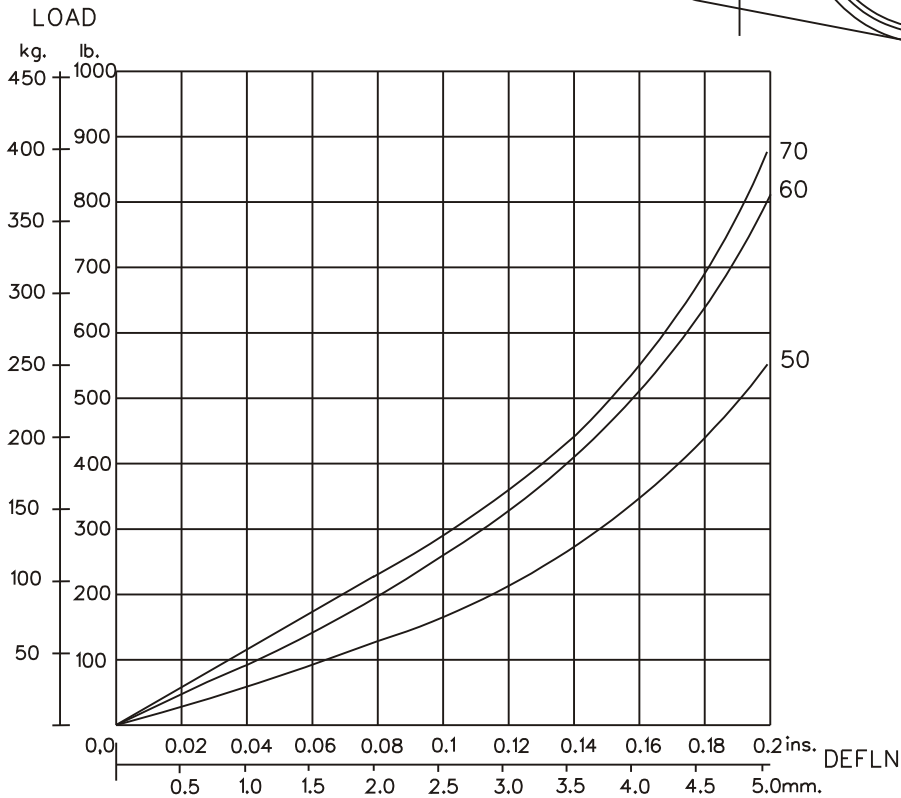
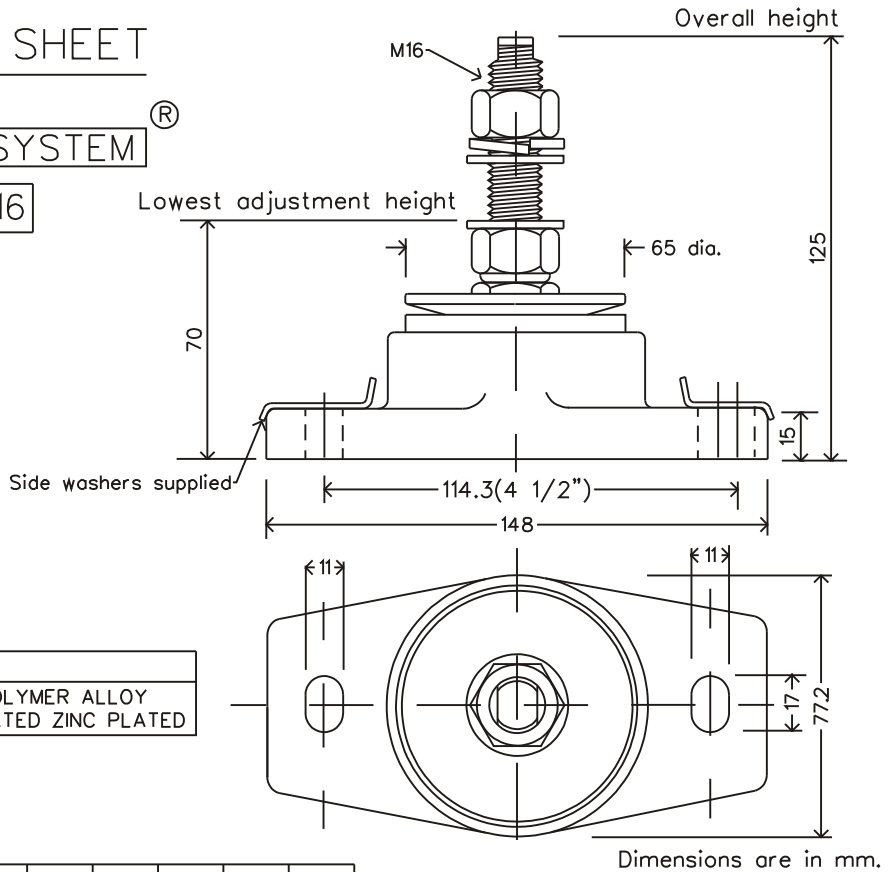
PRODUCT: MOUNT **P-SYSTEM**®

MODEL: **P#5.8F65-11-16**

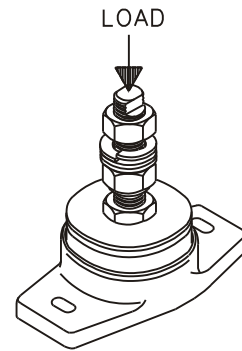
IDENTIFICATION SYSTEM				
P# 5 F 65 - 11 - 16 (16)				
BASE TYPE	CORE DIA.	CORE HEIGHT	THREAD SIZE	CORE HARDNESS

CORE COLOUR	SHORE HARDNESS
ORANGE	50
BLUE	60
YELLOW	70

MATERIAL SPECIFICATION
* ENGINEERING GRADE HEAT CURED POLYMER ALLOY
* ALL METAL PARTS - GOLD PASSIVATED ZINC PLATED



GRAPH 1 : STATIC AXIAL(VERTICAL) LOAD VS. DEFLECTION



© 2000 **Poly Flex** Products

DRAWING NO: D5-8M16
DRAWN PB. 12/4/00

THE ABOVE DATA IS SUPPLIED AS A GUIDE ONLY
PRODUCT SPECIFICATIONS AND DATA SHEETS ARE SUBJECT TO CHANGE WITHOUT NOTICE.