

POLY FLEX DATA SHEET

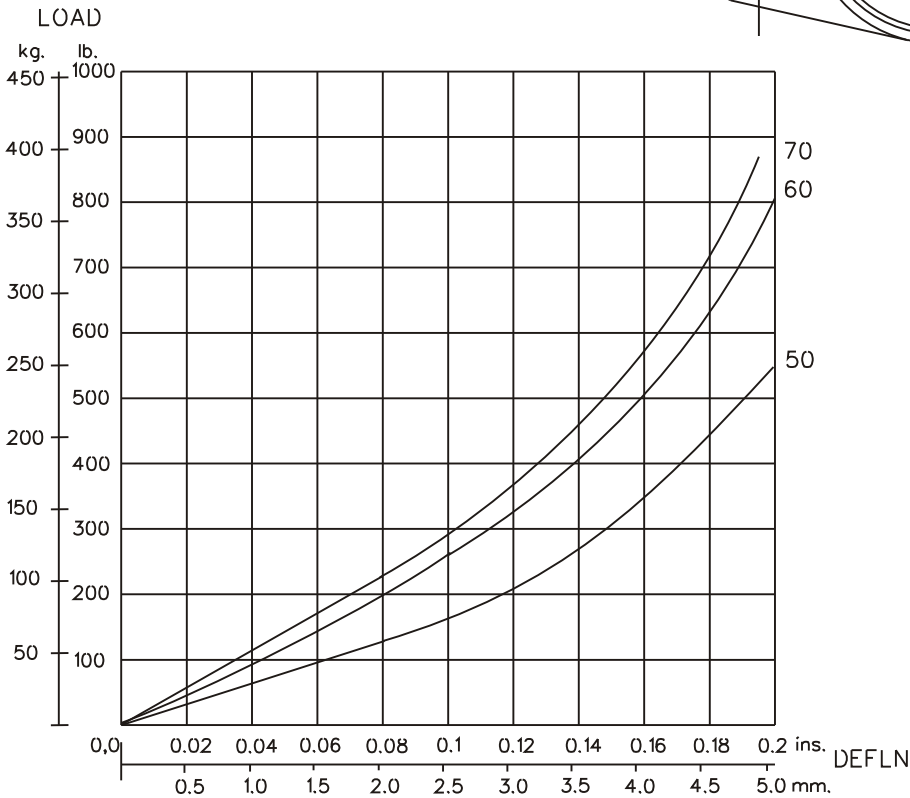
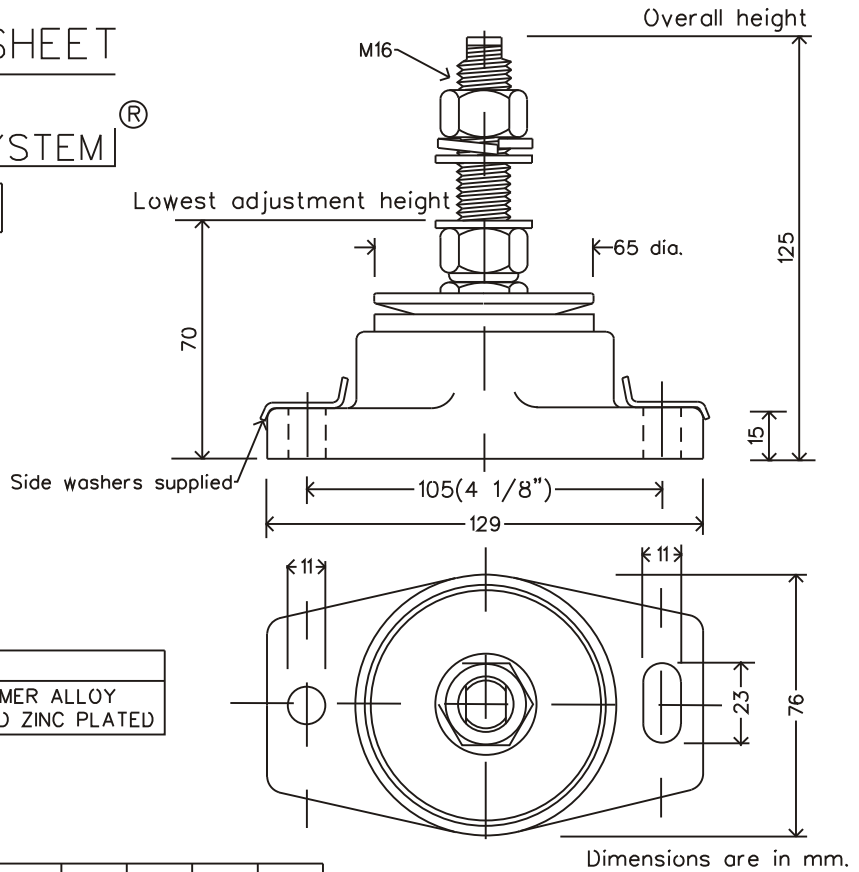
PRODUCT: MOUNT [P-SYSTEM]®

MODEL: P#5.5F65-11-16

| IDENTIFICATION SYSTEM | | | | |
|--|-----------|-------------|-------------|---------------|
| P# \square F \square \square - \square \square - \square \square (\square \square) | | | | |
| BASE TYPE | CORE DIA. | CORE HEIGHT | THREAD SIZE | CORE HARDNESS |

| CORE COLOUR | SHORE HARDNESS |
|-------------|----------------|
| ORANGE | 50 |
| BLUE | 60 |
| YELLOW | 70 |

MATERIAL SPECIFICATION
 * ENGINEERING GRADE HEAT CURED POLYMER ALLOY
 * ALL METAL PARTS - GOLD PASSIVATED ZINC PLATED



GRAPH 1 : STATIC AXIAL (VERTICAL) LOAD VS. DEFLECTION

SUGGESTED CORE HARDNESS FOR: LIGHT DUTY
 HEAVY DUTY

THE ABOVE DATA IS SUPPLIED AS A GUIDE ONLY
 PRODUCT SPECIFICATIONS AND DATA SHEETS ARE SUBJECT TO CHANGE WITHOUT NOTICE.

Poly Flex © 1996
 Products

DRAWING NO: P5-5FM16
 DRAWN PB. 15/1/96

