

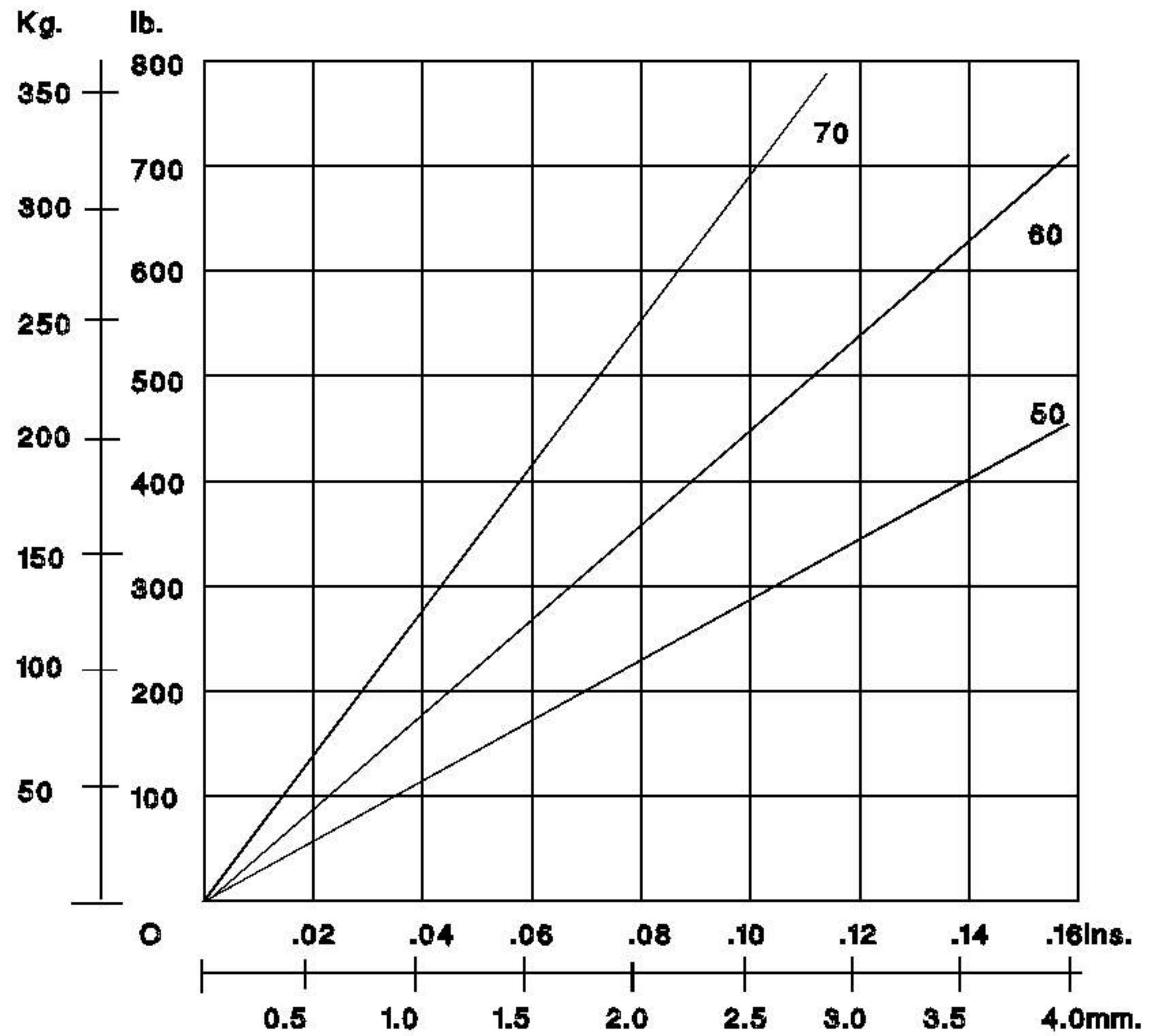
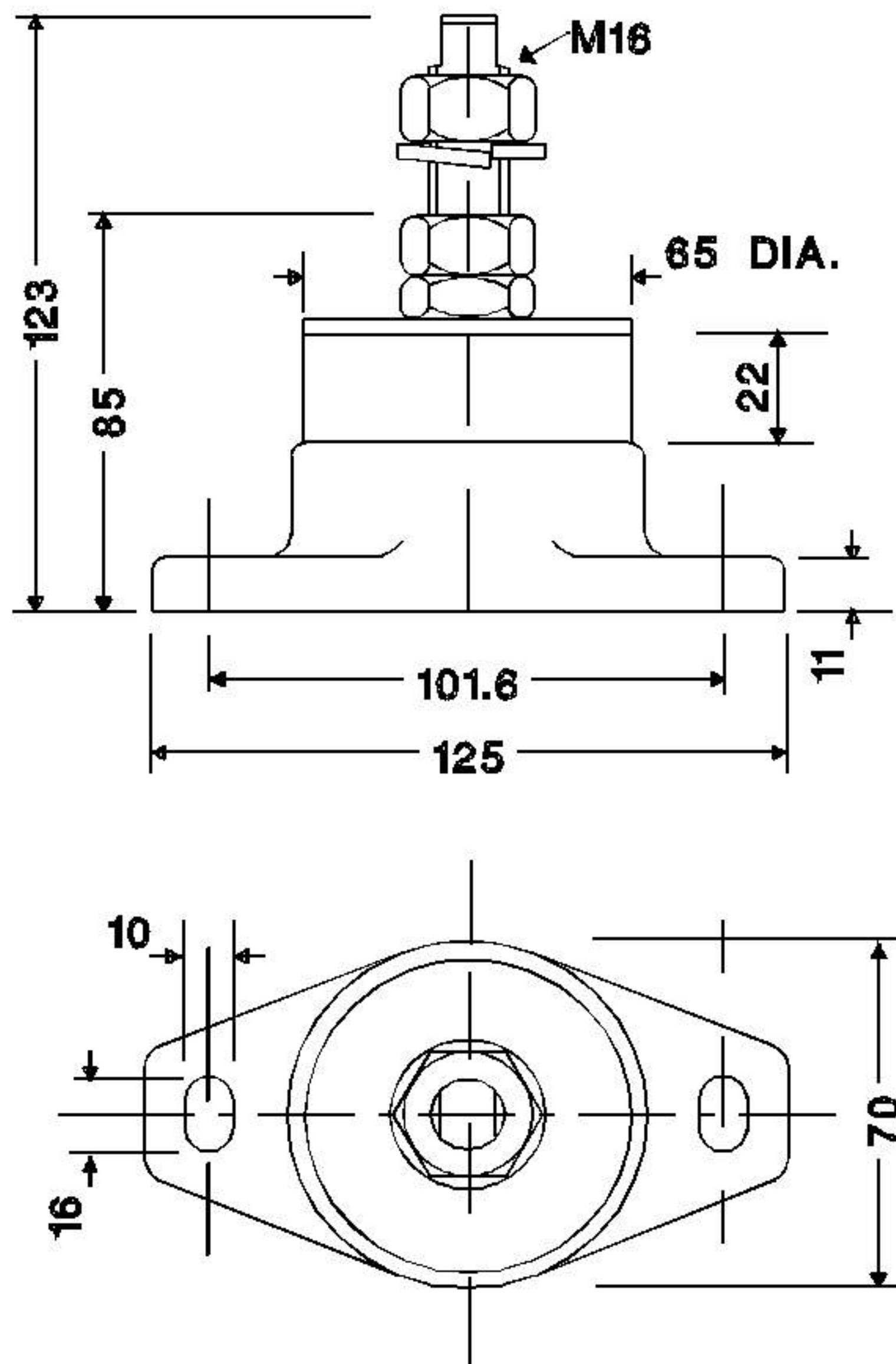
## DATA SHEET

MATERIAL SPECIFICATION
* ENGINEERING GRADE HEAT CURED POLYMER ALLOY
* ALL METAL PARTS - GOLD PASSIVATED ZINC PLATED

PRODUCT: MOUNT P-SYSTEM<sup>®</sup>  
MODEL: P#4F65-22-16

IDENTIFICATION SYSTEM				
P# <u>  </u> F <u>  </u> <u>  </u> <u>  </u> - <u>  </u> <u>  </u> - <u>  </u> <u>  </u> ( <u>  </u> <u>  </u> )				
BASE TYPE	CORE DIA.	CORE HEIGHT	THREAD SIZE	CORE HARDNESS

CORE COLOUR	SHORE HARDNESS
ORANGE	50
BLUE	80
YELLOW	70



GRAPH : STATIC LOAD VS. DEFLECTION