

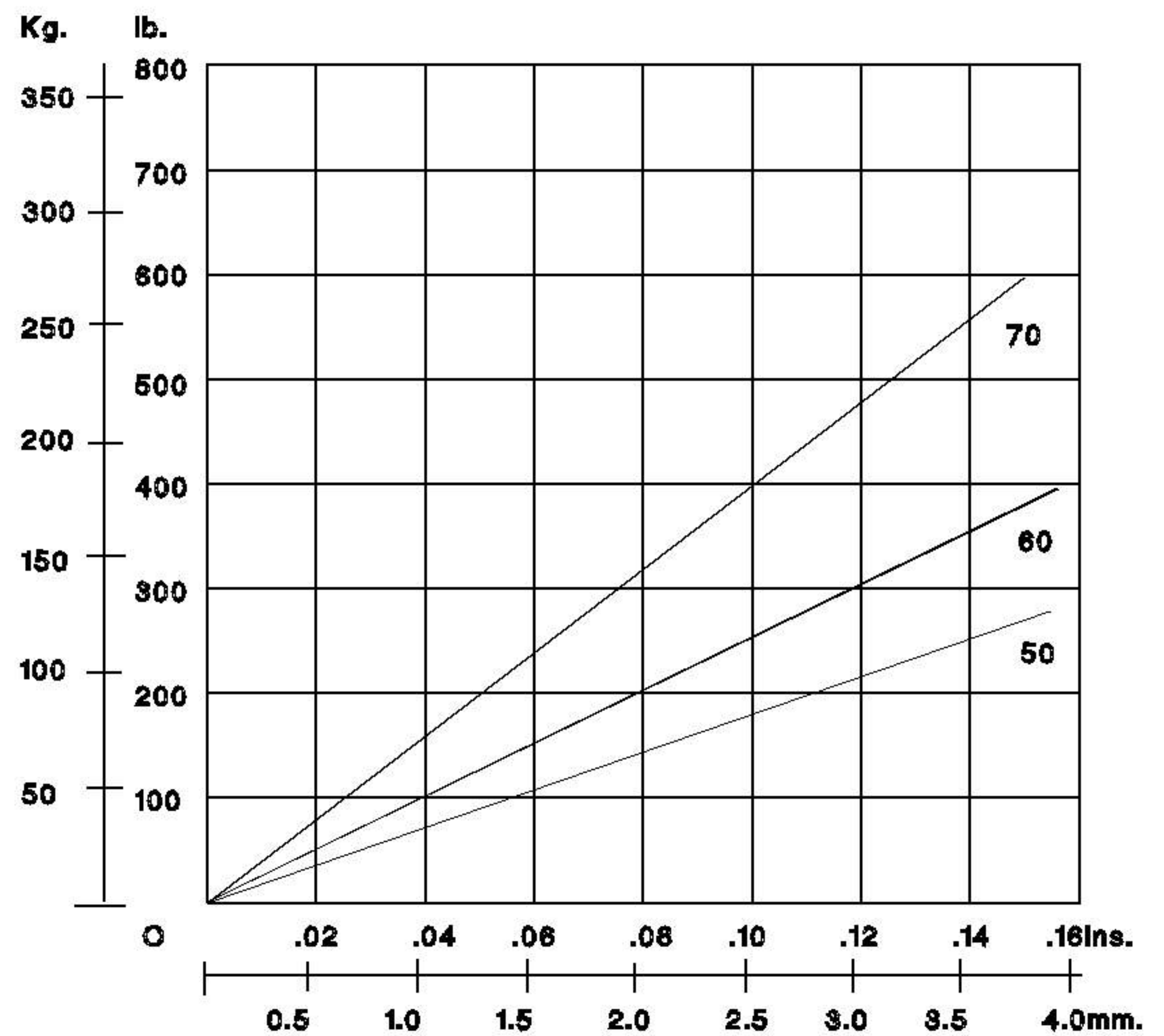
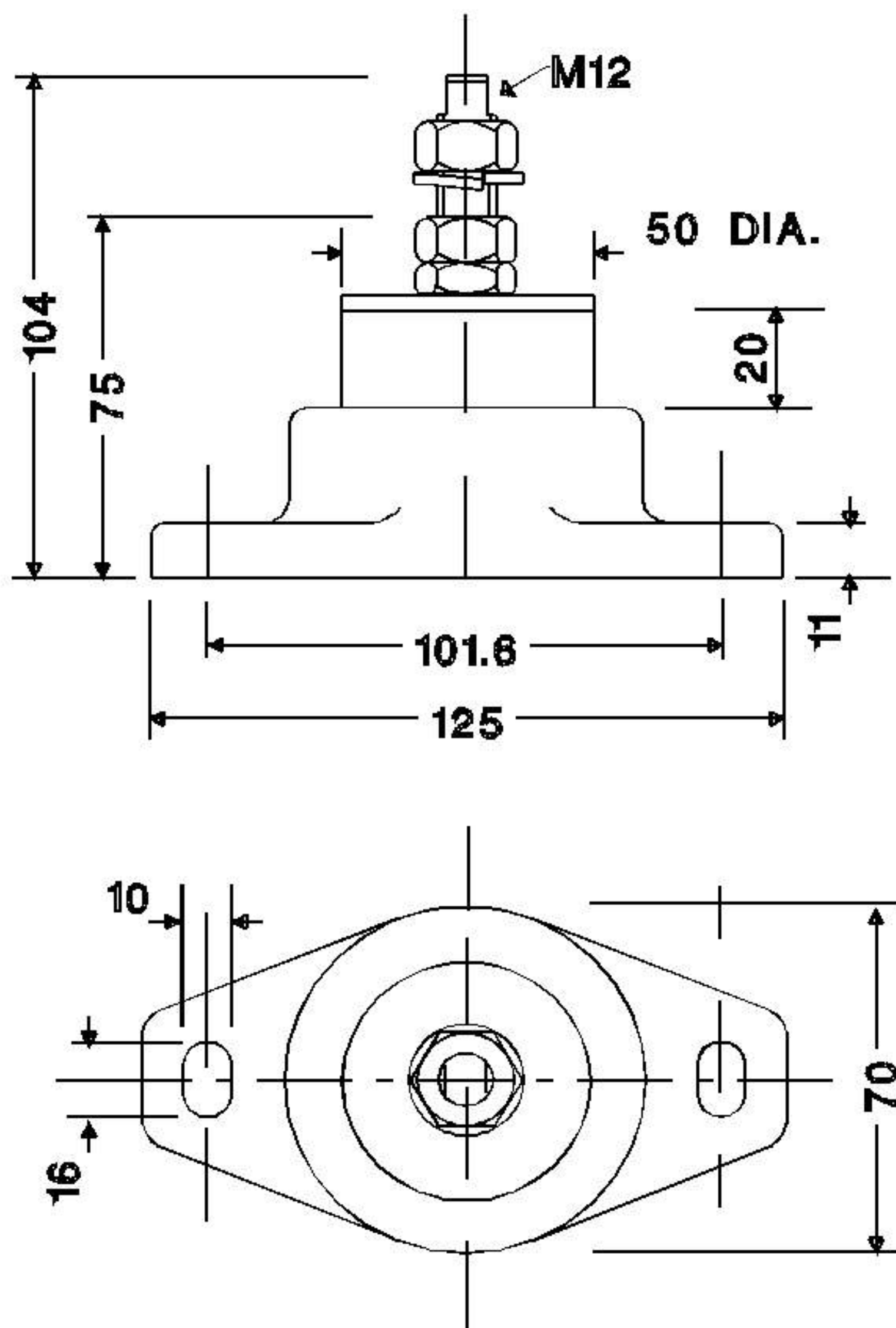
DATA SHEET

MATERIAL SPECIFICATION
* ENGINEERING GRADE HEAT CURED POLYMER ALLOY
* ALL METAL PARTS - GOLD PASSIVATED ZINC PLATED

PRODUCT: MOUNT **P-SYSTEM**[®]
MODEL: P#4F50-20-12

IDENTIFICATION SYSTEM				
P# F 5 0 - 20 - 12 (50)				
BASE TYPE	CORE DIA.	CORE HEIGHT	THREAD SIZE	CORE HARDNESS

CORE COLOUR	SHORE HARDNESS
ORANGE	50
BLUE	60
YELLOW	70



GRAPH : STATIC LOAD VS. DEFLECTION