

POLY FLEX DATA SHEET

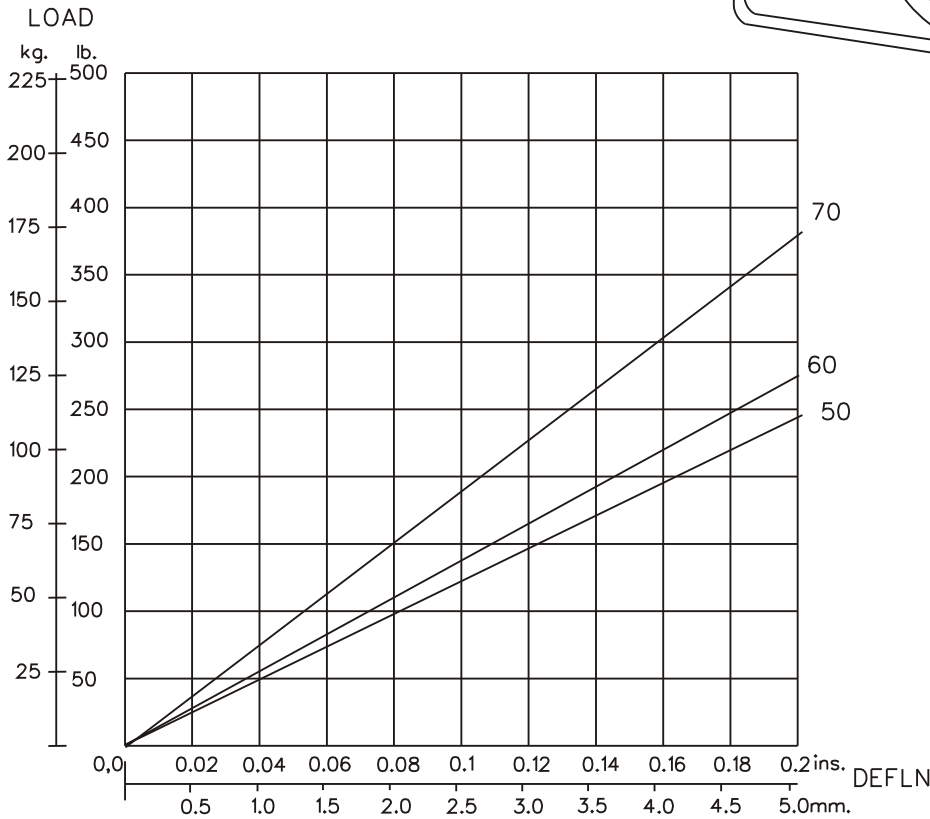
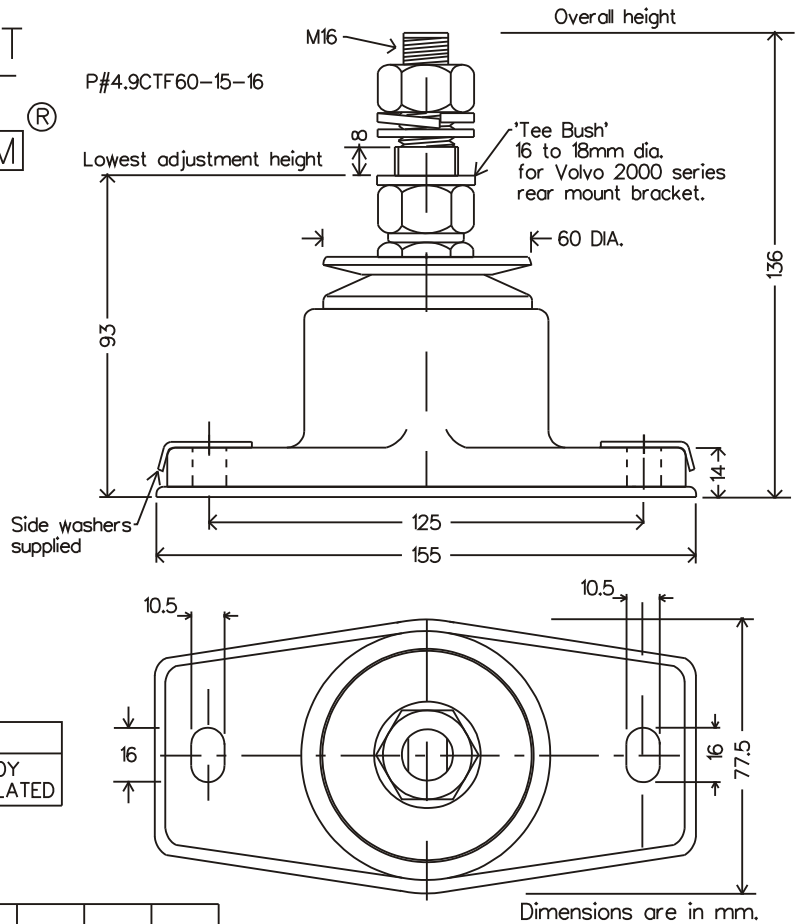
PRODUCT: MOUNT **P-SYSTEM**®

MODEL: **P#4.9CTF60-15-16**

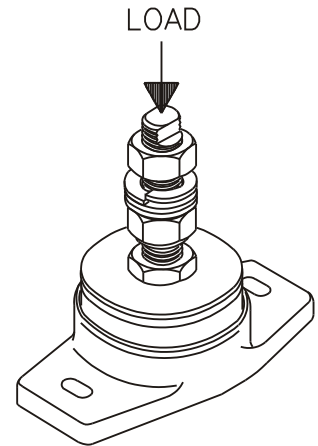
IDENTIFICATION SYSTEM				
P# <b>4</b> <b>9</b> <b>CT</b> <b>F</b> <b>60</b> - <b>15</b> - <b>16</b> ( <b>00</b> )				
BASE TYPE	CORE DIA.	CORE HEIGHT	THREAD SIZE	CORE HARDNESS

CORE COLOUR	SHORE HARDNESS
ORANGE	50
BLUE	60
YELLOW	70

MATERIAL SPECIFICATION	
* ENGINEERING GRADE HEAT CURED POLYMER ALLOY	
* ALL METAL PARTS - GOLD PASSIVATED ZINC PLATED	



GRAPH 1 : STATIC AXIAL(VERTICAL) LOAD VS. DEFLECTION



**Poly Flex** © 2003  
Products

DRAWING NO: D4-9CF16  
DRAWN PB. 12/3/03