

**POLY FLEX DATA SHEET**

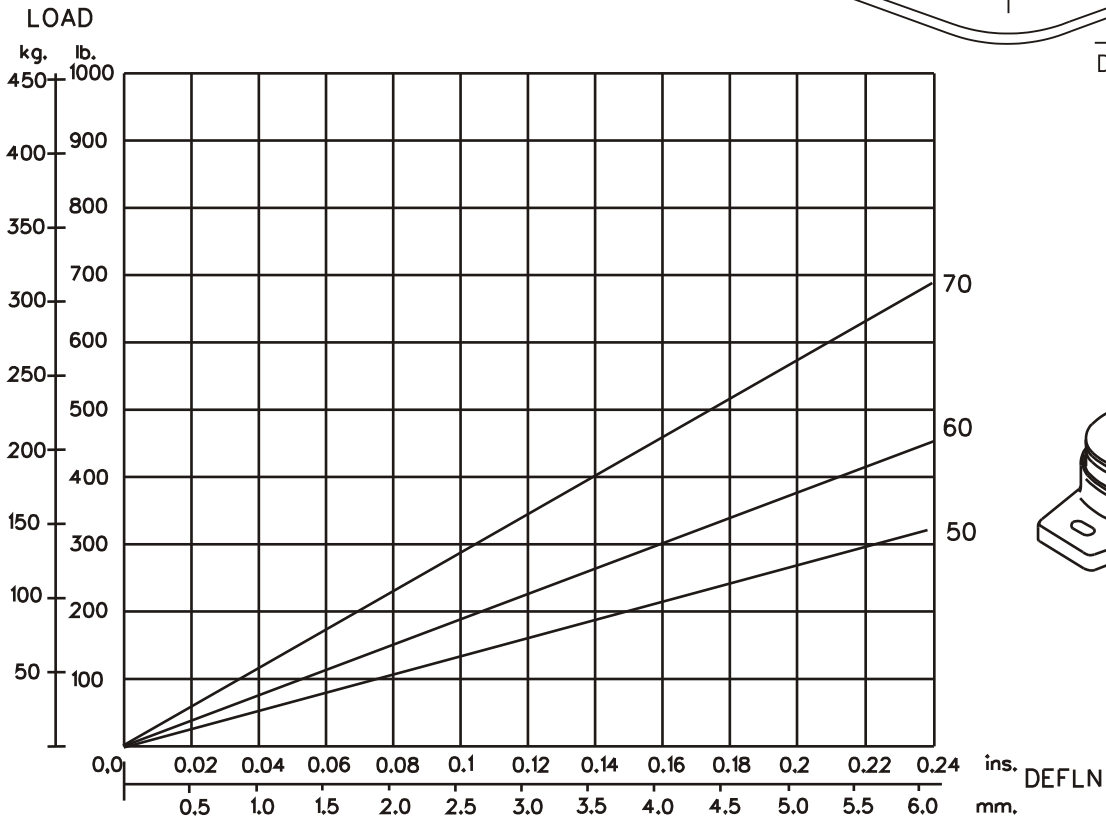
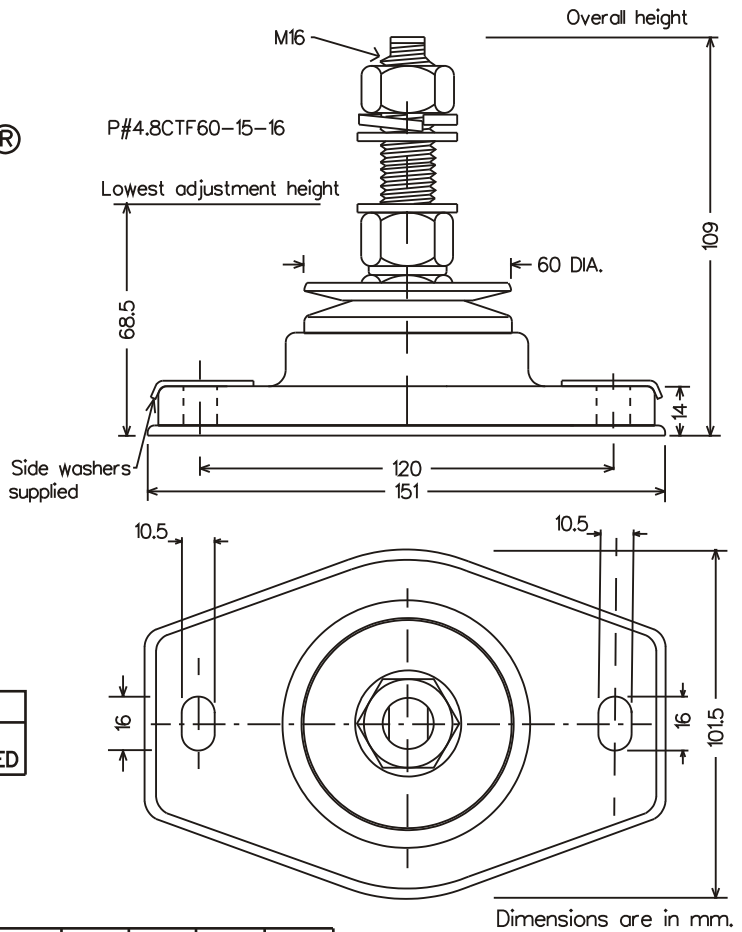
PRODUCT: MOUNT **P-SYSTEM**®

MODEL: **P#4.8CTF60-15-16**

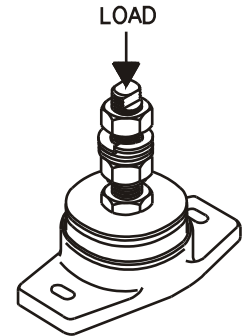
IDENTIFICATION SYSTEM				
P#FXX-XX-XX (XX)				
BASE TYPE	CORE DIA.	CORE HEIGHT	THREAD SIZE	CORE HARDNESS

CORE COLOUR	SHORE HARDNESS
ORANGE	50
BLUE	60
YELLOW	70

MATERIAL SPECIFICATION	
• ENGINEERING GRADE HEAT CURED POLYMER ALLOY	
• ALL METAL PARTS - GOLD PASSIVATED ZINC PLATED	



GRAPH 1 : STATIC AXIAL(VERTICAL) LOAD VS. DEFLECTION



**Poly Flex** © 2002  
Products

DRAWING NO: D4-8CT16  
DRAWN PB: 8/7/02