

POLY FLEX DATA SHEET

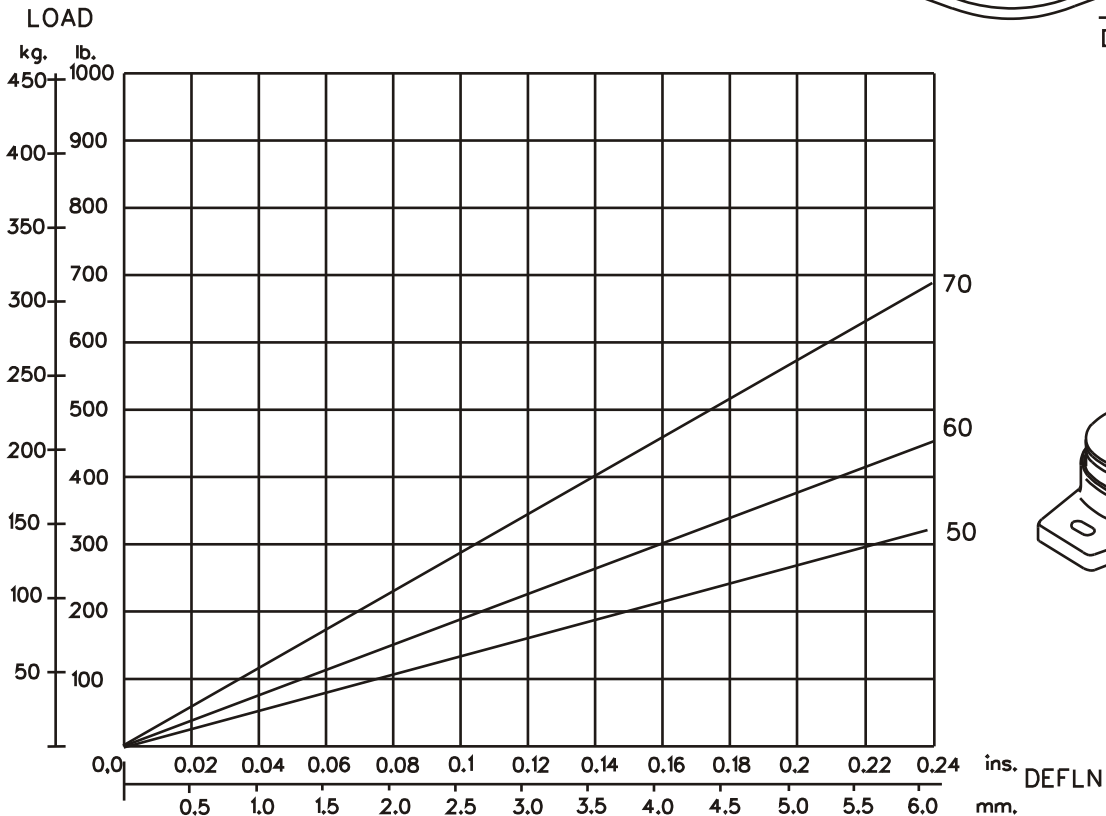
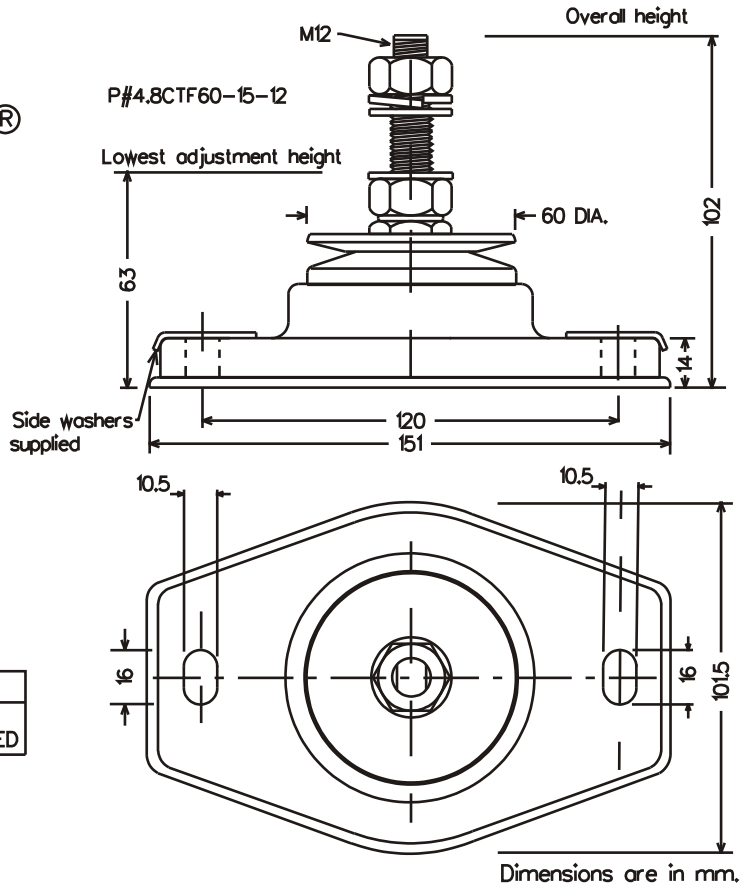
PRODUCT: MOUNT **P-SYSTEM**®

MODEL: **P#4.8CTF60-15-12**

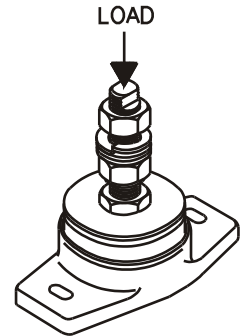
IDENTIFICATION SYSTEM				
P#F $\square\square$ - $\square\square$ - $\square\square$ ( $\square\square$ )				
BASE TYPE	CORE DIA.	CORE HEIGHT	THREAD SIZE	CORE HARDNESS

CORE COLOUR	SHORE HARDNESS
ORANGE	50
BLUE	60
YELLOW	70

MATERIAL SPECIFICATION	
• ENGINEERING GRADE HEAT CURED POLYMER ALLOY	
• ALL METAL PARTS - GOLD PASSIVATED ZINC PLATED	



GRAPH 1 : STATIC AXIAL(VERTICAL) LOAD VS. DEFLECTION



**Poly Flex** © 2002  
Products

DRAWING NO: D4-8CT12  
DRAWN PB: 8/7/02